



Pneumatic Double Acting Automated Ball Valve Package

Series 8R
3-Piece Ball Valve

Regular Port Valve

1500 & 2000 psi WOG
(by size)

Available 1/4"– 2-1/2"

316SS or WCB Body

316SS Ball & Stem

Belleville Washers,
Double Chevron Packing,
RTFE Seats Standard

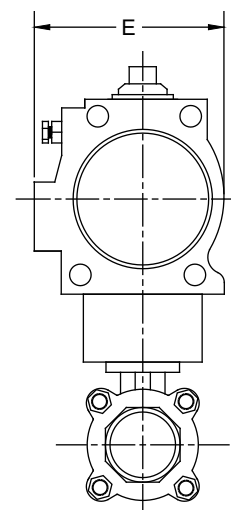
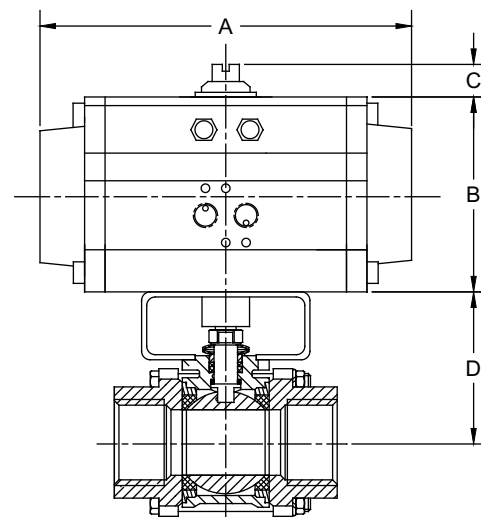
Threaded, SW or BW

STANDARDS

ANSI	B16.34, B16.25, B1.20.1, B16.11
API	6D, 598
ISO	5211, 5209, 5752, 7/1, 261
MSS	PS25, PS72
BS	5351, 6755-1, 6755-2



Direct Mount



DIMENSIONS (IN)

VALVE SIZE	A	B	C	D	E	VALVE Cv
1/4"	5.98	2.76	0.79	2.65	2.58	8
3/8"	5.98	2.76	0.79	2.65	2.58	8
1/2"	5.98	2.76	0.79	2.65	2.58	8
3/4"	7.95	3.43	0.79	2.65	3.29	15
1"	7.95	3.43	0.79	2.78	3.29	34
1-1/4"	7.95	3.43	0.79	2.90	3.29	56
1-1/2"	9.29	4.49	0.79	3.13	4.41	95
2"	9.29	4.49	0.79	3.42	4.41	200
2-1/2"	10.87	4.88	0.79	4.30	4.82	350

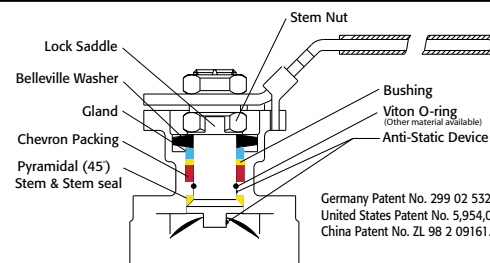
DIMENSIONS SHOWN ARE FOR ASSEMBLIES SIZED FOR 80 PSI SUPPLY



SERIES 8R Direct Mount

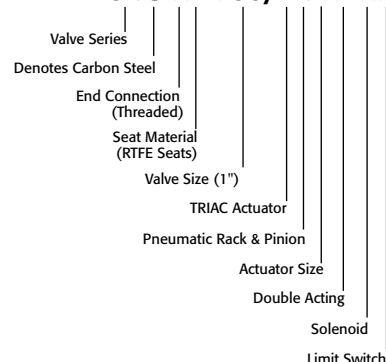
SIZED FOR 80 psi AIR SUPPLY	
SIZE	MODEL
1/4"	8R-TX-025/TR1D-XX
3/8"	8R-TX-038/TR1D-XX
1/2"	8R-TX-050/TR1D-XX
3/4"	8R-TX-075/2R2D-XX
1"	8R-TX-100/2R2D-XX
1-1/4"	8R-TX-125/2R2D-XX
1-1/2"	8R-TX-150/2R3D-XX
2"	8R-TX-200/2R3D-XX
2-1/2"	8R-TX-250/2R4D-XX

SIZED FOR 60 psi AIR SUPPLY	
SIZE	MODEL
1/4"	8R-TX-025/TR1D-XX
3/8"	8R-TX-038/TR1D-XX
1/2"	8R-TX-050/TR1D-XX
3/4"	8R-TX-075/2R2D-XX
1"	8R-TX-100/2R2D-XX
1-1/4"	8R-TX-125/2R2D-XX
1-1/2"	8R-TX-150/2R3D-XX
2"	8R-TX-200/2R3D-XX
2-1/2"	8R-TX-250/2R4D-XX



Germany Patent No. 299 02 532.2
United States Patent No. 5,954,088
China Patent No. ZL 98 2 09161.3

SAMPLE PART # 8RC-TX-100/2R2D-XX



OPTIONS

DESCRIPTION	PART NO. SUFFIX	DESCRIPTION	PART NO. SUFFIX
NEMA 4 Solenoid	(A)	NEMA 4 Limit Switch (2) spdt	(A)
NEMA 7 Solenoid	(B)	NEMA 7 Limit Switch (2) spdt	(B)

Other options available - call for details
Actuators are sized based on clean/clear fluid.

See valve part number matrix for complete part number and options.



Triac Division
11363 Deerfield Rd.
Cincinnati, Ohio 45242
PHONE (513) 247-5465
FAX (513) 247-5462
e-mail: sales@a-tcontrols.com
www.a-tcontrols.com