



# Pneumatic Double Acting Automated Ball Valve Package

## Series 55 3-Piece Ball Valve

Sizes 1/4" - 4"

Full Port Design

Available in 316SST or WCB

TH, SW, or BW Ends

800/1000 psi WOG

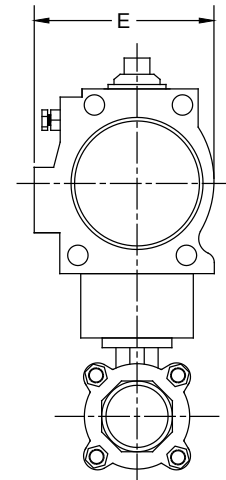
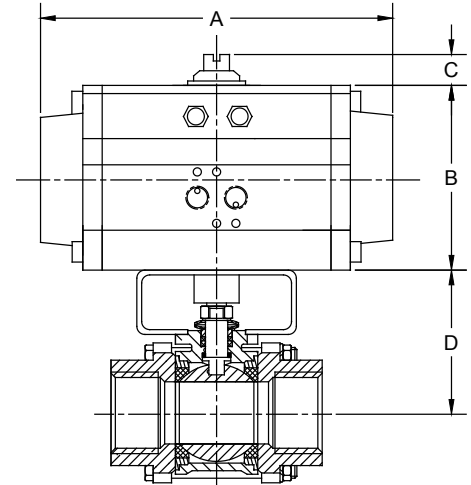
Live Loaded Packing System

Blowout Proof Stem w/ Dual Anti-Static Devices

RTFE Seats Standard

### STANDARDS

DESIGN	ANSI/ASME B16.34
END CONNECTIONS	ASME B1.20.1, B16.11
PRESSURE TESTING	API 598
MOUNTING	ISO 5211
MARKING SYSTEM FOR VALVES	MSS SP-25
MATERIAL CERTIFICATION	EN 10204-3.1 MTR
QUALITY ASSURANCE	ISO 9001:2008



### DIMENSIONS (IN)

VALVE SIZE	A	B	C	D	E	VALVE Cv
1/4"	5.98	2.76	0.79	2.63	2.58	7
3/8"	5.98	2.76	0.79	2.63	2.58	8
1/2"	5.98	2.76	0.79	2.63	2.58	15
3/4"	5.98	2.76	0.79	2.76	2.58	40
1"	7.95	3.43	0.79	3.09	3.29	70
1-1/4"	7.95	3.43	0.79	3.15	3.29	110
1-1/2"	9.29	4.49	0.79	3.39	4.41	250
2"	9.29	4.49	0.79	3.72	4.41	400
2-1/2"	9.29	4.49	0.79	5.43	4.41	600
3"	9.29	4.49	0.79	5.95	4.41	1,100
4"	11.46	5.28	0.79	6.81	5.2	2,000

DIMENSIONS SHOWN ARE FOR ASSEMBLIES SIZED FOR 80 PSI SUPPLY

SERIES 55 3-Piece

SIZED FOR 80 psi AIR SUPPLY	
SIZE	MODEL
1/4"	55-TX-025/TR1D-XX
3/8"	55-TX-038/TR1D-XX
1/2"	55-TX-050/TR1D-XX
3/4"	55-TX-075/TR1D-XX
1"	55-TX-100/2R2D-XX
1-1/4"	55-TX-125/2R2D-XX
1-1/2"	55-TX-150/2R3D-XX
2"	55-TX-200/2R3D-XX
2-1/2"	55-TX-250/2R3D-XX
3"	55-TX-300/2R3D-XX
4"	55-TX-400/2R5D-XX

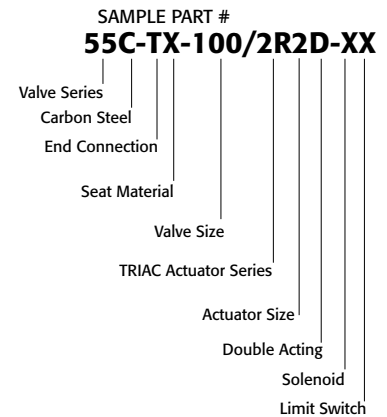
SIZED FOR 60 psi AIR SUPPLY	
SIZE	MODEL
1/4"	55-TX-025/TR1D-XX
3/8"	55-TX-038/TR1D-XX
1/2"	55-TX-050/TR1D-XX
3/4"	55-TX-075/TR1D-XX
1"	55-TX-100/2R2D-XX
1-1/4"	55-TX-125/2R3D-XX
1-1/2"	55-TX-150/2R3D-XX
2"	55-TX-200/2R3D-XX
2-1/2"	55-TX-250/2R3D-XX
3"	55-TX-300/2R4D-XX
4"	55-TX-400/2R6D-XX

### OPTIONS

DESCRIPTION	PART NO. SUFFIX	DESCRIPTION	PART NO. SUFFIX
NEMA 4 Solenoid	(A)	NEMA 4 Limit Switch (2) spdt	(A)
NEMA 7 Solenoid	(B)	NEMA 7 Limit Switch (2) spdt	(B)
Intrinsically Safe Solenoid	(C)	Intrinsically Safe Limit Switch	(C)

Other options available - call for details  
Actuators are sized based on clean/clear fluid.

55DA-20160121  
Copyright 2013 A-T Controls, Inc.



See valve part number matrix for complete part number and options.



9955 International Blvd.  
Cincinnati, Ohio 45246  
www.atcontrols.com

PHONE (513) 247-5465  
FAX (513) 247-5462  
sales@atcontrols.com