

—
OPTIONS FOR ABB DRIVES

Emergency stop, stop category 0 (option +Q951) for ACS580-07, ACH580-07 and ACQ580-07 drives

User's manual



List of related manuals

Drive manuals and guides

ACS580 standard control program firmware manual	3AXD50000016097
ACH580 HVAC control program firmware manual	3AXD50000027537
ACQ580 pump control program firmware manual	3AXD50000035867
ACS580-07 drives hardware manual	3AXD50000045815
ACH580-07 drives hardware manual	3AXD50000045816
ACQ580-07 drives hardware manual	3AXD50000045817
ACX-AP-x assistant control panels user's manual	3AUA0000085685
ACS-BP-S basic control panels user's manual	3AXD50000032527

PC tool manuals

Start-up and maintenance PC tool Drive composer user's manual	3AUA0000094606
Functional safety design tool user's manual	TT201312111015

Option manuals and guides

Emergency stop, stop category 0 (option +Q951) for ACS580-07, ACH580-07 and ACQ580-07 drives user's manual	3AXD50000171828
Functional safety, Technical guide No. 10	3AUA0000048753
ABB Safety information and solutions	www.abb.com/safety

You can find manuals and other product documents in PDF format on the Internet. See section [Document library on the Internet](#) on the inside of the back cover. For manuals not available in the Document library, contact your local ABB representative.

The codes below open an online listing of the manuals applicable to the product:



[ACS580-07 manuals](#)
(75 to 250 kW)



[ACH580-07 manuals](#)



[ACQ580-07 manuals](#)



[ACS580-07 manuals](#)
(250 to 500 kW)

User's manual

Emergency stop, stop category 0 (option +Q951) for
ACS580-07, ACH580-07 and ACQ580-07 drives

Table of contents



Table of contents

1. Introduction to the manual

Contents of this chapter	7
Applicability	7
Safety instructions	7
Target audience	8
Contents	8
Related documents	8
Abbreviations	8
Exclusion of liability	9
Quick reference guide for putting a safety function into service	9

2. Option description and instructions

Contents this chapter	11
Overview	11
Operation principle	12
Fault reaction function	13
Parameter settings	13
Hardware settings	14
Wiring	14
Start-up and acceptance test	15
Checks and settings with no voltage connected	15
Settings with voltage connected	15
Acceptance test	15
Use of the safety function	16
Activating	16
Resetting	16
Emergency stop indications	16
Fault tracing	17
Maintenance	18
Proof test interval	18
Competence	18
Residual risk	18
Intentional misuse	19
Decommissioning	19
Safety data	20
Safety data values	20
Safety component types	20
Safety block diagrams	21
Relevant failure modes	21
Fault exclusions	21
Operation delays	21
General rules, notes and definitions	22
Validation of the safety functions	22
Validation procedure	22
Acceptance test reports	22
Competence	22
Ambient conditions	23



Reporting problems and failures related to safety functions 23
Related standards and directives 23
Compliance with the European Machinery Directive 23

Further information



1

Introduction to the manual

Contents of this chapter

This chapter describes the manual in short and gives some general information for the reader. The chapter also contains a quick reference for implementing a safety system.

Applicability

The manual applies to ACS580-07, ACH580-07 and ACQ580-07 drives which have the option: Emergency stop, stop category 0 with main contactor, with safety relays (option +Q951).

Safety instructions

Only a qualified electrician who has appropriate knowledge on functional/machine/process safety is allowed to install, start up and maintain the safety circuit.



WARNING! After you have made additions to the drive safety circuit or modified it, changed circuit boards inside the drive, always test the operation of the safety circuit according to its acceptance test procedure. Changes can have unexpected effects. All customer-made changes are on the customer's responsibility.



WARNING! Read and obey all safety instructions given for the drive in its hardware manual. If you ignore them, injury or death, or damage to the equipment can occur.

This manual does not repeat the complete safety instructions of the drive. It only includes the instructions related to the scope of this manual.

Target audience

The manual is intended for people who install, start up, use and service the safety option of the drive. Read the manual before working on the drive. You are expected to know the fundamentals of electricity, wiring, electrical components, electrical schematic symbols, and functional safety.

Contents

The chapters of this manual are briefly described below.

[Introduction to the manual](#) (this chapter) introduces this manual.

[Option description and instructions](#) describes the safety option and instructs how to wire, start up, test, validate, use and maintain it. The chapter also contains the safety data.

Related documents

- Product manuals (see the inside of the front cover)
- Circuit diagrams delivered with the drive
- Part lists delivered with the drive

Abbreviations

Abbreviations used in this manual are listed below.

Abbreviation	Description	Reference
Cat.	Category 1. Stop category according to EN/IEC 60204-1 The stop categories are: 0 (uncontrolled stop) and 1 (controlled stop) 2. Classification of the safety-related parts of a control system in respect of their resistance to faults and their subsequent behavior in the fault condition, and which is achieved by the structural arrangement of the parts, fault detection and/or by their reliability. The categories are: B, 1, 2, 3 and 4.	EN/IEC 60204-1 EN ISO 13849-1
CCF	Common cause failure (%)	EN ISO 13849-1
DC	Diagnostic coverage	EN ISO 13849-1
DI	Digital input	
DIIL	Digital input interlock	
E-stop	Emergency stop	
Frame (size)	Relates to the construction type of the drive in question. For example, several drive types with different power ratings can have the same basic construction, and a frame size is used in reference to all those drive types.	
HFT	Hardware fault tolerance	IEC 61508, EN/IEC 62061
IGBT	Insulated gate bipolar transistor	
PFD_{avg}	Average probability of dangerous failure on demand	IEC 61508
PFH	Average frequency of dangerous failures per hour	IEC 61508, EN ISO 13849-1, EN/IEC 62061, EN/IEC 61800-5-2
PL	Performance level (levels are: a, b, c, d and e). Corresponds to SIL.	EN ISO 13849-1
R6...R11	Frame size designation of the drive	

Abbreviation	Description	Reference
SC	Systematic capability	IEC 61508
SIL	Safety integrity level	IEC 61508, IEC 61511, EN/IEC 62061, EN/IEC 61800-5-2
SILCL	Maximum SIL that can be claimed for a safety function or subsystem	EN/IEC 62061
T1	Proof test interval or lifetime (the smaller one)	IEC 61508, EN/IEC 62061

Exclusion of liability

ABB is not responsible for the implementation, verification and validation of the overall safety system. It is the responsibility of the system integrator (or other party) who is responsible for the overall system and system safety.

The system integrator (or other responsible party) must make sure that the entire implementation complies with all relevant standards, directives and local electrical code, and that the system is tested, verified and validated correctly.

Quick reference guide for putting a safety function into service

Task	<input checked="" type="checkbox"/>
Connect the user-defined wiring (if any). See the wiring instructions in this manual and the circuit diagrams delivered with the drive.	<input type="checkbox"/>
Set the parameters. See section Parameter settings on page 13.	<input type="checkbox"/>
Do the acceptance test. See section Start-up and acceptance test on page 15.	<input type="checkbox"/>
Write the necessary documentation.	<input type="checkbox"/>



Option description and instructions

Contents this chapter

This chapter describes the +Q951 emergency stop option and instructs how to wire, start up, test, validate, use and maintain it. The safety data is also given.

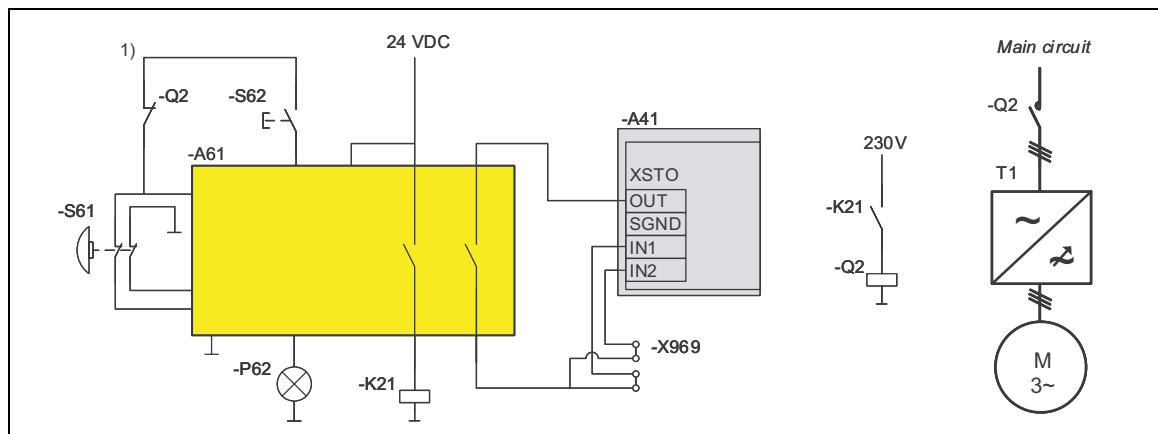
Overview

Option +Q951 corresponds to an uncontrolled stop in accordance with stop category 0 (EN/IEC 60204-1). After the emergency stop command has been given, the drive trips the main contactor, which cuts off the input power of the drive. The motor coasts to a stop.

The design principles of the option +Q951 comply with EN ISO 13850.

For a list of related standards and European directives, see section [Related standards and directives](#) on page 23.

Operation principle



A41	Drive control unit
A61	Emergency stop safety relay
S61	Emergency stop button
S62	Emergency stop reset button
P62	Emergency stop indicator light
K21	Auxiliary safety relay
Q2	Main contactor
X969	STO terminal block
T1	Drive module
1)	Reset circuit

Initial status: The drive is in operation and the motor is running.

Step	Operation
1.	The user activates the emergency stop by pushing the emergency stop button [S61].
2.	The emergency stop safety relay [A61] switches off the XSTO inputs IN1 and IN2 of the drive control board. The emergency stop safety relay [A61] de-energizes the auxiliary safety relay [K21] which de-energizes the main contactor [Q2]. The main contactor [Q2] switches off the power supply to the drive module [T1].
3.	The emergency stop indication lamp [P62] of the emergency stop reset button [S62] comes on.
4.	The motor coasts to zero speed and remains at zero speed while the emergency stop is active.
5.	Normal operation resumes after the user: <ul style="list-style-type: none"> releases the emergency stop button [S61] to normal (up) position resets the emergency stop circuit with the emergency stop reset button [S62] resets the drive (if the STO indication parameter 31.22 has been set so that a fault is generated).

Fault reaction function

Definition: A safety function requires a “fault reaction function” that attempts to initiate a safe state if the safety function's diagnostics detect a fault within the hardware/software that performs the safety function.

The fault reaction function of the emergency stop safety relay [A61] trips if it detects a failure in the safety circuit. Failures include short circuits, open circuits, and redundancy faults. If there is a failure, the fault reaction function:

- switches on the drive emergency stop command
- opens the main contactor
- keeps the emergency stop command on until the detected fault is repaired.

The indication lamp [P62] of the reset button [S62] is on until the fault is repaired.

Parameter settings

You can change drive parameters in the drive control program.

The parameter *31.22 STO indication run/stop* sets the indications that the drive gives when the emergency stop button [S61] is pushed. For example, you can set the drive to trip on a fault or show a warning.

Note: This parameter does not have an effect on the operation of the emergency stop function. It will operate regardless of the setting of this parameter.

For more information, see the firmware manual.

Hardware settings

Hardware settings for the safety function are set at the factory.

The emergency stop safety relay [A61] is set to the manual reset mode at the factory.

Wiring

One emergency stop button and one reset button are installed on the cabinet door and wired to the drive at the factory. There are double contacts in the emergency stop button and double wiring (two-channel connection) between the button and the emergency stop safety relay [A61]. The safety relay detects cross faults and faults across one contact from the emergency stop button. This function must be used in a redundant manner, that is, the emergency stop button must be connected to both terminals with a separate contact.

If needed, install additional emergency stop buttons on site and wire them to the appropriate terminal block inside the drive cabinet. See the circuit diagrams delivered with the drive. Obey these rules:

1. Use only double-contact buttons approved for the emergency stop circuits.
2. Connect the emergency stop buttons with two conductors (two-channel connection).
Note: Keep the channels separate. If you use only one channel, or if the first and second channels are connected together (for example, in a chain), the cross fault detection of the emergency stop safety relay trips and activates the emergency stop command of the drive as it detects a redundancy fault.
3. Use a shielded, twisted pair cable. ABB recommends a double-shielded cable and gold-plated contacts in the emergency stop button.
4. Ensure that the sum resistance for one channel (loop resistance) from the field to the safety relay does not exceed 70 ohms.
5. Obey the general control cable installation instructions given in the drive hardware manual.


You can also install additional reset buttons and indication lamps for the emergency stop circuit on site. ABB recommends gold-plated contacts in the reset button. Wire the buttons to the appropriate terminal block inside the drive cabinet. See the circuit diagrams delivered with the drive. Obey these rules:

1. Sum resistance of the external reset circuit must not exceed 70 ohms.
 2. Obey the general control cable installation instructions given in the drive hardware manual.
-

Start-up and acceptance test

You need the Drive composer PC tool or a control panel to perform the start-up and acceptance test.

Initial status: Make sure that the drive is ready for use, that is, you have done the tasks of the drive start-up procedure. See the hardware manual.

Action	<input checked="" type="checkbox"/>
 WARNING! Obey the Safety instructions , page 7. If you ignore them, injury or death, or damage to the equipment can occur.	<input type="checkbox"/>
Checks and settings with no voltage connected	
If any connections of the emergency stop circuit have been done on site (such as wiring of additional emergency stop buttons): Do a check of the connections against the appropriate circuit diagrams.	<input type="checkbox"/>
Settings with voltage connected	
Make sure that the parameters relevant to the safety function are set. See section Parameter settings on page 13.	<input type="checkbox"/>
Acceptance test	
Make sure that you can run and stop the motor freely during the test.	<input type="checkbox"/>
Start the drive and make sure that the motor is running. If possible, use a motor speed close to the maximum speed of the application.	<input type="checkbox"/>
Push the emergency stop button [S61].	<input type="checkbox"/>
Make sure that the drive stops the motor by coasting.	<input type="checkbox"/>
Make sure that the indication lamp [P62] comes on. If selected, make sure that the drive shows an emergency stop indication. See section Emergency stop indications on page 16.	<input type="checkbox"/>
Make sure that you cannot switch the power on with the operating switch on the cabinet door.	<input type="checkbox"/>
Make sure that you cannot start the drive and motor from any control location: Make sure that the motor does not start even if you switch the external start signal off and on, or push the start key of the panel. Do the tests in both local and remote control modes of the panel. (If using a control panel, use the Loc/Rem key to change mode).	<input type="checkbox"/>
Turn the emergency stop button [S61] until it releases and returns to the up position.	<input type="checkbox"/>
Push the emergency stop reset button [S62].	<input type="checkbox"/>
Make sure that the indication lamp [P62] goes off.	<input type="checkbox"/>
Switch off the drive start signal.	<input type="checkbox"/>
Power up the drive (see the hardware manual).	<input type="checkbox"/>
Restart the drive and motor and make sure that they operate normally.	<input type="checkbox"/>
Do the test again from each operating location (every emergency stop button and reset button).	<input type="checkbox"/>
Fill in and sign the acceptance test report. Store the report into the logbook of the machine.	<input type="checkbox"/>

Use of the safety function

■ Activating

1. Push the emergency stop button [S61]. The emergency stop activates and the button locks in the “ON” (open) position.

■ Resetting

Note: If you select an external source for the start command and it is on, the drive will start immediately after the emergency stop reset, unless you configure the drive for pulse start or edge-triggered start. See the firmware manual.

1. Turn the emergency stop button [S61] until it releases.
2. Push the emergency stop reset button [S62] on the cabinet door.
The indication lamp [P62] of the reset button [S62] goes off, the emergency stop deactivates, and the emergency stop safety relay [A61] resets.
3. Reset faults from the drive, if any exist.

You can now close the main contactor and start the drive.

Note: You must also reset the emergency stop safety relay [A61] with the emergency stop reset button [S62] every time after you energize the relay. If you do not reset the relay, you cannot close the main contactor.

Emergency stop indications

When the emergency stop is on:

- the drive control program can show a *Safe torque off* indication. See section [Parameter settings](#) on page 13.
 - the emergency stop reset button [S62] on cabinet door is illuminated (indication lamp [P62]).
-

Fault tracing

The emergency stop safety relay [A61] type is Phoenix Contact PSR-MC34. For more information, see the data sheet of the relay (www.phoenixcontact.com).

This table describes the status LEDs of the relay.

PWR LED	IN1/2 LED	K1 LED	K2 LED	LED is lit and steady
ON	OFF	OFF	OFF	All relays are not activated. The sensor circuit is off. Possible error. For more information, see the data sheet of the relay.
ON	ON	OFF	OFF	Relay K1 is energized.
ON	ON	ON	ON	Relay K2 is energized.

If the drive trips to a *STO hardware failure* (5090), examine the STO wiring against the circuit diagrams. See the hardware manual for more information.

For more fault tracing possibilities, see the hardware and firmware manuals of the drive.

Maintenance

After the operation of the safety function is tested at start-up, it does not need any scheduled maintenance, excluding the main contactor which has a limited lifetime. Replace the contactor before the end of its lifetime. See the contactor data sheet or manual. After the replacement, do the acceptance test for the safety function again. See section [Start-up and acceptance test](#) on page 15.

In addition to proof testing, it is good practice to do a test of the safety function when you do maintenance routines of the machinery. Do the acceptance test described in section [Start-up and acceptance test](#) on page 15.

If you change any wiring or component after the start up, or restore parameters to their default values:

- Use only ABB approved spare parts.
- Register the change to the change log for the safety circuit.
- Do the acceptance test of the safety function again. See section [Start-up and acceptance test](#) on page 15.
- Document the tests and store the report into the logbook of the machine.

■ Proof test interval

After the operation of the safety function is validated at start-up, the safety function must be maintained by periodic proof testing. In high demand mode of operation, the maximum proof test interval is 20 years. In low demand mode of operation, the maximum proof test interval is 1 year (high or low demand as defined in IEC 61508, EN/IEC 62061 and EN ISO 13849-1). Regardless of the mode of operation, it is good practice to do a test of the safety function at least once a year. Do the test as described in section [Start-up and acceptance test](#) on page 15.

The person responsible for the design of the complete safety function should also note the Recommendation of Use CNB/M/11.050 published by the European co-ordination of Notified Bodies for Machinery concerning dual-channel safety-related systems with electromechanical outputs:

- When the safety integrity requirement for the safety function is SIL 3 or PL e (cat. 3 or 4), the proof test for the function must be performed at least every month.
- When the safety integrity requirement for the safety function is SIL 2 (HFT = 1) or PL d (cat. 3), the proof test for the function must be performed at least every 12 months.

This is a recommendation and depends on the required (not achieved) SIL/PL. For example, safety relays, contactor relays, emergency stop buttons, switches etc. are typically safety devices which contain electromechanical outputs.

■ Competence

The maintenance and proof test activities of the safety function must be carried out by a competent person with expertise and knowledge of the safety function as well as functional safety, as required by IEC 61508-1 clause 6.

■ Residual risk

The safety functions are used to reduce the recognized hazardous conditions. In spite of this, it is not always possible to eliminate all potential hazards. Therefore the warnings for the residual risks must be given to the operators.

■ **Intentional misuse**

The safety circuit is not designed to protect a machine against intentional misuse.

■ **Decommissioning**

When you decommission an emergency stop circuit or a drive, make sure that the safety of the machine is maintained until the decommissioning is complete.

Safety data

The safety data given below is valid for the default design of the safety circuit. In case the final design differs from the default, ABB calculates new safety data and delivers it separately to the customer.

■ Safety data values

The safety data calculations are based on the following assumptions on the operation of the main contactor [Q2]:

- It is switched at low load current (normal use, ~0%, AC-1).
- It is used for the emergency stop once a month.
- It is used for the ordinary on and off once a day.

Frame size	Contactor	SIL / SILCL	SC	PL	PFH [1/h]	PFD _{avg} (T1 = 1 a)	DC ¹⁾ [%]	Cat.	HFT	CCF	Mission time [a]	T1 ²⁾ [a]
R6...R9	AF146 – AF370	2	3	d	5.02E-7	7.4E-4	>90	2	0	65	20	20 / 1
R10, R11	AF580 – AF750	2	3	d	5.02E-7	7.4E-4	>90	2	0	65	20	20 / 1

1) DC for low demand mode of operation is 0% (determined by the DC of the worst component in the subsystem).

3AXD10000569791 Rev D

2) T1 = 20a is used with high demand mode of operation. T1 = 1a is used with low demand mode of operation. See also section [Proof test interval](#) on page 18.

Note: If T1 > 1a is needed in low demand mode of operation, SIL 1 / PL c levels shall be used and PFD calculated separately.

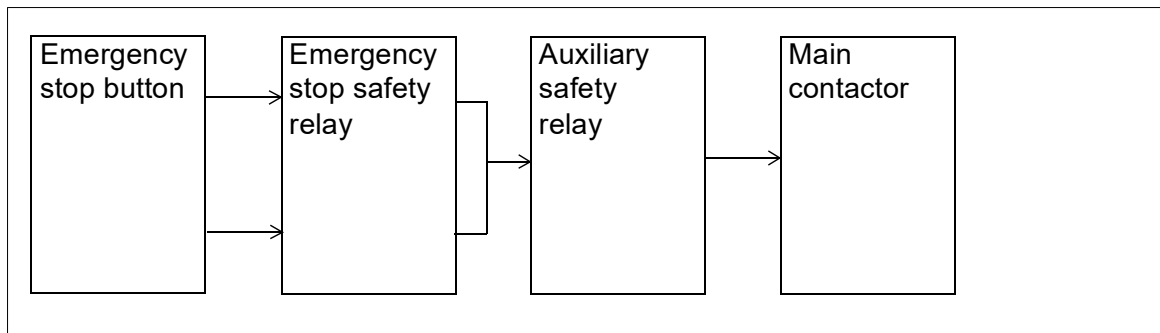
■ Safety component types

Safety component types as defined in IEC 61508-2:

- emergency stop button: type A
- emergency stop safety relay: type A
- auxiliary safety relay: type A
- main contactor: type A.

■ Safety block diagrams

The components that are included in the safety circuit are shown in these safety block diagrams.



■ Relevant failure modes

- The main contactor does not open when requested. (All contactor failures are considered dangerous.)
- Internal failures of safety relays and the emergency stop button. These failures are included in the PFH value of the function.

■ Fault exclusions

Fault exclusions (not considered in the calculations):

- any short and open circuits in the cables of the safety circuit
- any short and open circuits in the cabinet terminal blocks of the safety circuits.

■ Operation delays

Emergency stop total delay: less than 250 ms

General rules, notes and definitions

■ Validation of the safety functions

You must do an acceptance test (validation) to validate the correct operation of safety functions.

Validation procedure

You must do the acceptance test using the checklist given in section [Start-up and acceptance test](#) on page 15:

- at initial start-up of the safety function
- after any changes related to the safety function (wiring, components, safety function related parameter settings etc.)
- after any maintenance action related to the safety function.

The acceptance test must include at least the following steps:

- you must have an acceptance test plan
- you must test all commissioned functions for proper operation, from each operation location
- you must document all acceptance tests.

Acceptance test reports

You must store the signed acceptance test reports in the logbook of the machine. The report must include, as required by the referred standards:

- a description of the safety application (including a figure)
- a description and revisions of safety components that are used in the safety application
- a list of all safety functions that are used in the safety application
- a list of all safety related parameters and their values
- documentation of start-up activities, references to failure reports and resolution of failures
- the test results for each safety function, checksums, date of the tests and confirmation by the test personnel.

You must store any new acceptance test reports performed due to changes or maintenance in the logbook of the machine.

Competence

The acceptance test of the safety function must be carried out by a competent person with expertise and knowledge of the safety function as well as functional safety, as required by IEC 61508-1 clause 6. The test procedures and report must be documented and signed by this person.

■ Ambient conditions

For the environmental limits for the safety functions and the drive, refer to the hardware manual of your drive.

■ Reporting problems and failures related to safety functions

Contact your local ABB representative.

Related standards and directives

Standard	Name
EN 60204-1:2006 + AC:2010 IEC 60204-1:2016	<i>Safety of machinery – Electrical equipment of machines – Part 1: General requirements</i>
IEC 61508-1:2010	<i>Functional safety of electrical/electronic/programmable electronic safety-related systems – Part 1: General requirements</i>
IEC 61508-2:2010	<i>Functional safety of electrical/electronic/programmable electronic safety-related systems – Part 2: Requirements for electrical/electronic/programmable electronic safety-related systems</i>
IEC 61800-5-2:2016 EN 61800-5-2:2007	<i>Adjustable speed electrical power drive systems – Part 5-2: Safety requirements – Functional</i>
IEC 62061:2015 Ed.1.2 EN 62061:2005 +AC:2010+A1:2013+A2:2015	<i>Safety of machinery – Functional safety of safety-related electrical, electronic and programmable electronic control systems</i>
EN ISO 12100:2010	<i>Safety of machinery – General principles for design – Risk assessment and risk reduction</i>
EN ISO 13849-1:2015	<i>Safety of machinery – Safety-related parts of control systems – Part 1: General principles for design</i>
EN ISO 13849-2:2012	<i>Safety of machinery – Safety-related parts of control systems – Part 2: Validation</i>
EN ISO 13850:2015	<i>Safety of machinery. Emergency stop. Principles for design</i>
IEC 61511-1:2016	<i>Functional safety – Safety instrumented systems for the process industry sector</i>
EN 61800-3:2004 + A1:2012	<i>Adjustable Speed Electrical Power Drive Systems - Part 3: EMC requirements and specific test methods</i>
IEC 61326-3-1:2008	<i>Electrical equipment for measurement, control and laboratory use – EMC requirements – Part 3-1: Immunity requirements for safety-related systems and for equipment intended to perform safety-related functions (functional safety) – General industrial applications</i>
2006/42/EC	<i>European Machinery Directive</i>
Other	Machine-specific C-type standards

Compliance with the European Machinery Directive

The drive is an electronic product which is covered by the European Low Voltage Directive. However, the drive internal safety function of this manual (option +Q951) is in the scope of the Machinery Directive as a safety component. This function complies with European harmonized standards such as EN/IEC 61800-5-2. The declaration of conformity is delivered with the drive.

Further information

Product and service inquiries

Address any inquiries about the product to your local ABB representative, quoting the type designation and serial number of the unit in question. A listing of ABB sales, support and service contacts can be found by navigating to abb.com/searchchannels.

Product training

For information on ABB product training, navigate to new.abb.com/service/training.

Providing feedback on ABB Drives manuals

Your comments on our manuals are welcome. Navigate to new.abb.com/drives/manuals-feedback-form.

Document library on the Internet

You can find manuals and other product documents in PDF format on the Internet at abb.com/drives/documents.



abb.com/drives



3AXD50000171828B