

FEATURES

- Solenoid valve for use with neutral or aggressive liquids and gases in analytical and medical systems
- Hermetic separation of control mechanism and fluid:
 - Prevents particulate contamination caused by friction of moving parts, assuring maximum purity of fluid
 - Ensures reliable operation in applications with highly aggressive fluids
- Special rocker mechanism combined with a separating diaphragm prevents heat transfer to the fluid and eliminates the sticking effect of the valve seat
- Good self-draining capability and easy-to-flush internal cavity
- Low internal volume
- Reduced heat exchange due to integrated **power-save** switch
- Various electrical connection options

GENERAL

Differential pressure	-0,9 to +3 bar (usable in 0,1 bar abs. vacuum)
Maximum viscosity	20 cSt (mm ² /s), filtered at 50 µm
Response time	< 10 ms
Internal volume	< 13 µl (connections not included)

fluids (*)	temperature range (TS)	seal materials (*)
liquids or gases	10 to 40 °C	FFPM, FPM
	5 to 40 °C	EPDM

MATERIALS IN CONTACT WITH FLUID

(*) Ensure that the compatibility of the fluids in contact with the materials is verified

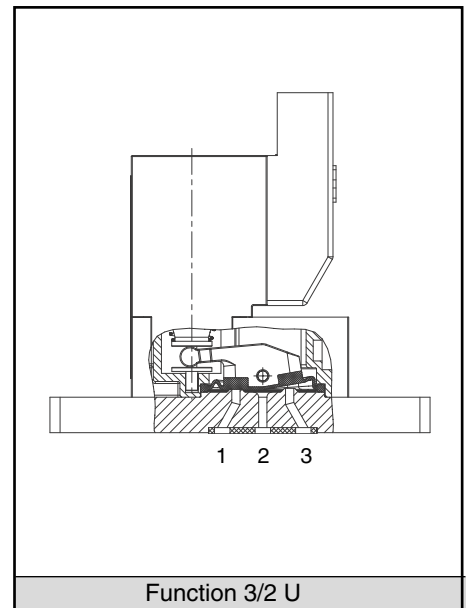
Body	PEEK
Diaphragm	FFPM (EPDM, FPM)
Seals	FFPM (EPDM, FPM)

OTHER MATERIALS

Internal parts: Stainless steel

ELECTRICAL CHARACTERISTICS

Coil insulation class	F
Coil connection	Pin header with 2 contacts
Electrical safety	EN 60335
Standard voltages	DC (=): 12V (+10% / -5%) 24V (+10% / -5%)
(Other voltages on request)	

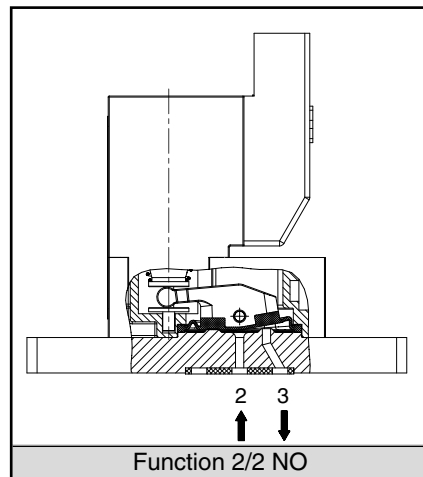
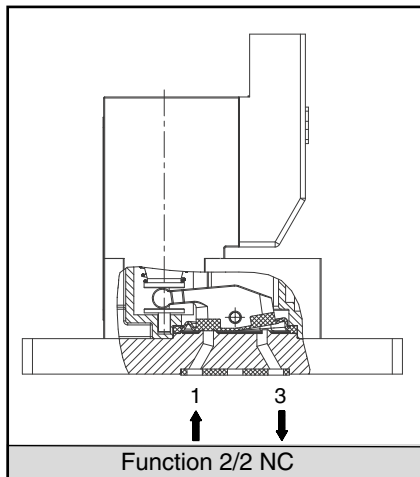


coil type ⁽¹⁾	power ratings	ambient temperature range (TS) (°C)	protection	electrical connection
	= inrush / holding (W)			
specific	2,5 / 1,0*	10 to 50	IP40	Connector with two 0,5 mm ² lead wires + built-in LED and electrical protection or cable ends, 0,5 m long

* With power-save electronics

(1) The coil used for orifice size 1,35 mm is longer by 12,5 mm than that used for the other orifice sizes, see drawings on page 33

FUNCTIONAL PRINCIPLE



SPECIFICATIONS

pipe size	orifice size (mm)	flow coefficient Kv (m³/h) (l/min)		operating pressure differential (bar)			Electrical connection/ type (*)	catalogue no.	OPTION	
				min.	max. (PS)				FPM	EPDM
					gases	liquids				
				=	=					
2/2 NC - normally closed										
Long flange ⁽¹⁾	0,6	0,006	0,10	-0,9	3	3	1	SC S067A 021	V	E
							2			
							3			
							4			
							5			
	0,8	0,010	0,22	-0,9	2	2	1	SC S067A 026	V	E
							2			
							3			
							4			
							5			
	1,0	0,017	0,34	-0,9	1,5	1,5	1	SC S067A 031	V	E
							2			
							3			
							4			
							5			
	1,35	0,026	0,46	-0,9	1,0	1,0	1	SC S067A 036	V	E
2										
3										
4										
5										
2/2 NO - normally open										
Long flange ⁽¹⁾	0,6	0,006	0,10	-0,9	3	3	1	SC S067A 061	V	E
							2			
							3			
							4			
							5			
	0,8	0,010	0,22	-0,9	2	2	1	SC S067A 066	V	E
							2			
							3			
							4			
							5			
	1,0	0,017	0,34	-0,9	1,5	1,5	1	SC S067A 071	V	E
							2			
							3			
							4			
							5			
	1,35	0,026	0,46	-0,9	1,0	1,0	1	SC S067A 076	V	E
2										
3										
4										
5										
3/2 U - universal										
Long flange ⁽¹⁾	0,6	0,006	0,10	-0,9	3	3	1	SC S067A 101	V	E
							2			
							3			
							4			
							5			
	0,8	0,010	0,22	-0,9	2	2	1	SC S067A 106	V	E
							2			
							3			
							4			
							5			
	1,0	0,017	0,34	-0,9	1,5	1,5	1	SC S067A 111	V	E
							2			
							3			
							4			
							5			
	1,35	0,026	0,46	-0,9	1,0	1,0	1	SC S067A 116	V	E
2										
3										
4										
5										

(*) Types 1 to 5 with power-save electronics, LED and electrical protection

(1) 2 hexagon socket head cap mounting screws M3x6 mm, stainless steel, ISO4762 supplied

1 = width: 5,08 mm 4 = width: 2,54 mm

2 = width: 5,08 mm 5 = Flying leads, 0,5 m long, 0,25 mm²

3 = width: 2,54 mm (see drawings on page 33)

OPTIONS

- Subbase (consult us)
- Manual operator (impulse-type)

INSTALLATION

- The solenoid valves can be mounted in any position without affecting operation
- Installation/maintenance instructions are included with each valve

All leaflets are available on: www.asconumatics.eu

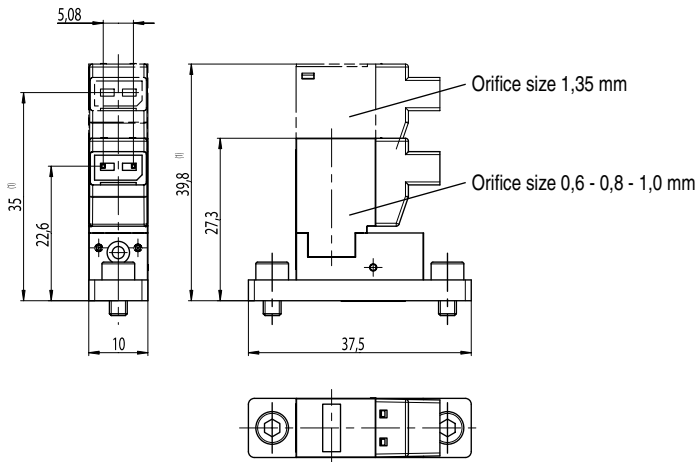
DIMENSIONS (mm), WEIGHT (g)

Weight: 11,7 g

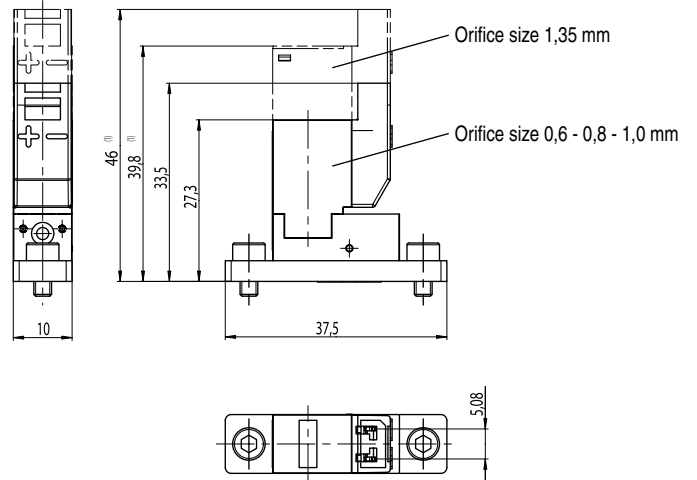


LONG FLANGE VERSION

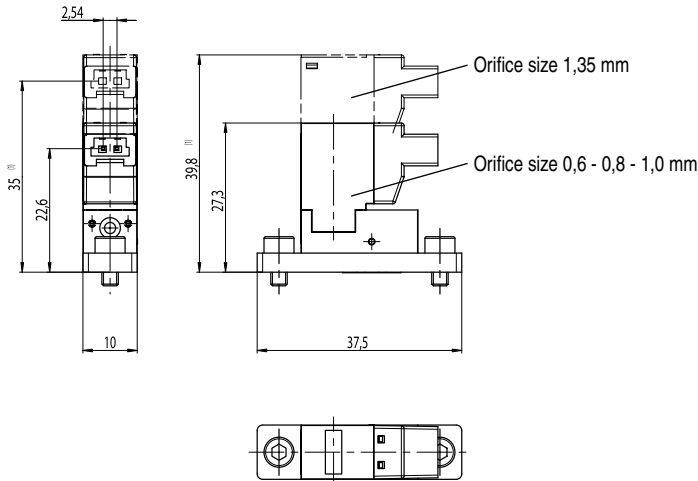
Type 1



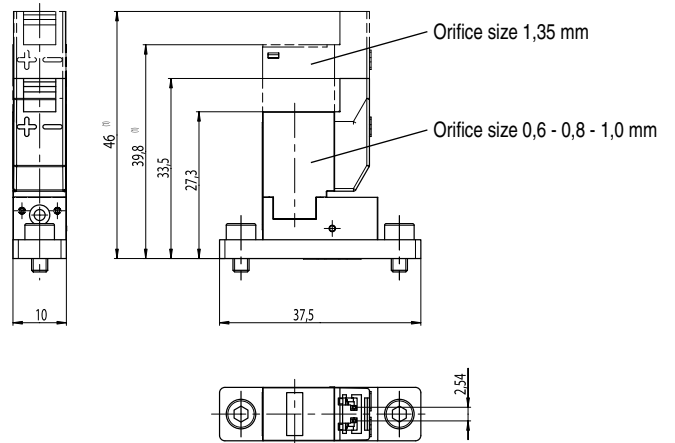
Type 2



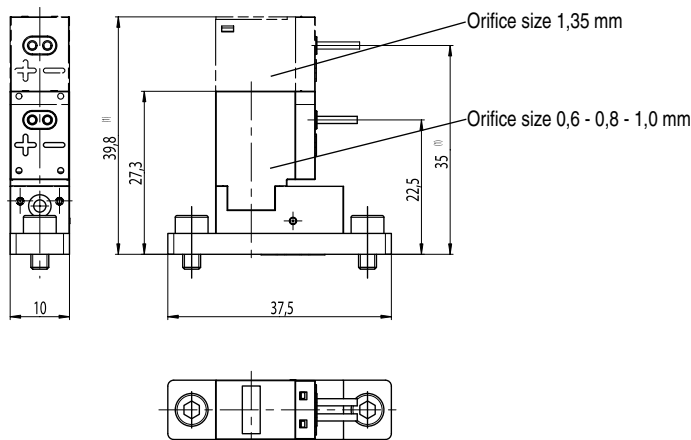
Type 3



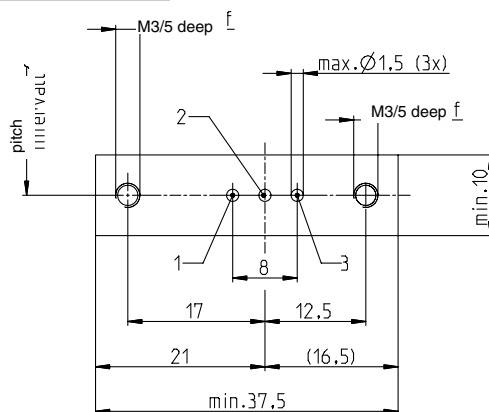
Type 4



Type 5



Mounting pad



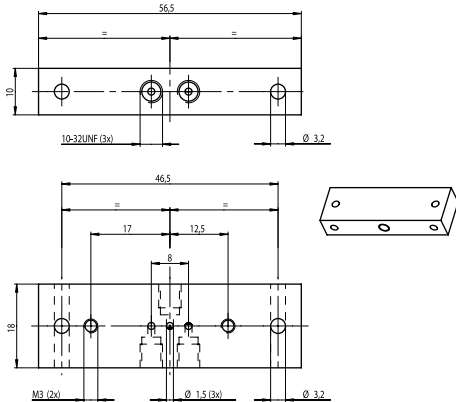
(1) The coil used for orifice size 1,35 mm is longer by 12,5 mm than that used for the other orifice sizes
 * Connectors must be ordered separately, please specify the quantity and catalogue numbers as required:

2-wire connector			
Pin spacing 5,08 mm	- 0,5 m long	- catalogue number: 88118801	
	- 1,5 m long	- catalogue number: 88118802	
	- 3 m long	- catalogue number: 88118803	
Pin spacing 2,54 mm	- 0,5 m long	- catalogue number: 88118806	
	- 1,5 m long	- catalogue number: 88118807	
	- 3 m long	- catalogue number: 88118808	

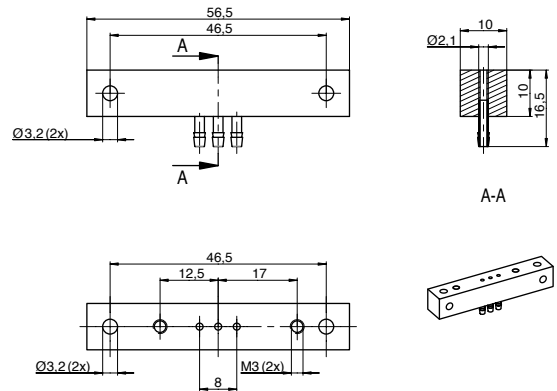


SINGLE SUBBASES

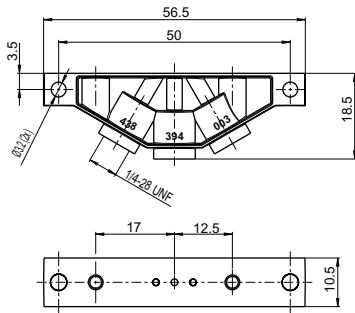
UNF thread - catalogue number 36100038



Bottom push-in hose connection - catalogue number 36100042



UNF thread - catalogue number 36100040



Side push-in hose connection - catalogue number 36100044

