

Mark 17X Series

Flameproof Smart Positioner

The Mark 17X Series is a CSA approved and Explosion Proof Rated EX d IIC T6/T5, Class 1, Zone 1, Group A. Additional certifications include ATEX and IECEx.

The Mark 17X Smart Positioner accurately controls valve stroke using an input signal of 4 - 20 mA from the controller. The smart positioner uses torque motor control for better resistance to moisture dust and vibration.

On board micro processing optimizes the positioner performance and allows for auto calibration, PID control, alarm and HART protocol.

The LCD display enables easy monitoring of the position. PID parameters can be easily adjusted in the field by push button, information is transferred with a HART communicator.

The Mark 17X smart positioner has analog feedback signal capability. Operating temperature limits from -40°C to 85°C (T5), -40°C – 70°C (T6)

- Split ranges 4-12mA or 12-20mA may be set.
- Operating temperature is -40°C to +85°C(T5), -40°C to +70°C(T6).

Also available in stainless steel, model number 17XS.



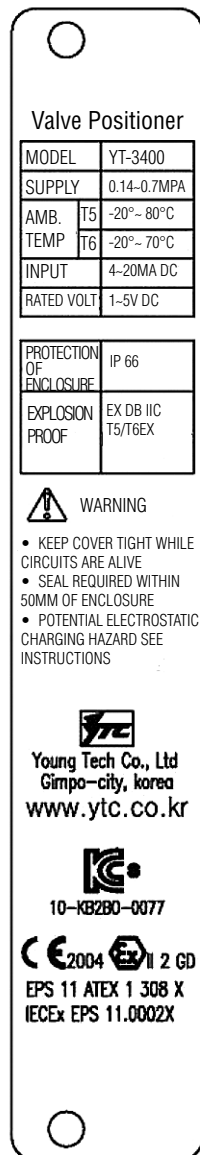
Mark 17X Smart Positioner

FEATURES

- LCD Display allows users to accurately monitor the positioners status
- The positioner will continue to operate normally during sudden changes in supply pressure and/or in high vibration environment
- The Mark 17X's low air consumption and low voltage usage minimizes operating costs
- Compatible with most controllers
- Variable orifice can be utilized to minimize hunting and optimize operating conditions
- Accurate and responsive valve feedback system
- Tight shutoff - close, and shutoff - open may be set
- PID parameters are easily field adjustable without an additional communicator
- The auto/manual switch may be used to direct supply air to the actuator, or to manually operate the positioner or valve

Mark 17X Label Description

1. Model – Indicates model number of the positioner
2. Supply – Indicates the supply pressure range
3. Amp. Temp – Indicates the allowable ambient temperature limits
4. Input Signal – Indicates the input signal range
5. Protection of Enclosure – Indicates the Enclosure Protection Rating
6. Explosion Proof – Indicates the certified explosion proof rating



Model Selection/ Ordering Information:

1	2	3	4	5	6	7	8
1	Motion Type	L	Linear				
		R	Rotary				
2	Acting Type	S	Single Acting				
		D	Double Acting				
3	Explosion Proof	C	Ex d IIC T6				
4	Lever Type	L	1	10 ~ 40mm			
			2	20 ~ 70mm			
			3	50 ~ 100mm			
			4	100 ~ 150mm			
		R	1	M6 x 34L			
		2	M6 x 63L				
		3	M8 x 34L				
		4	M8 X 63L				
		5	NAMUR				
5	Connection Type	1	PT 1/4				
		2	NPT 1/4				
6	Communication	0	None				
		2	HART Protocol				
7	Option	0	None				
		1	+PTM				
		2	+L/S				
		3	+PTM & L/S				
8	Ambient Temp.	S	-30 ~ 85°C				
		L	-40 ~ 85°C				

*All Mark 17X Smart positioners are ordered standard low temperature. (-40°C to 85°C)

MARK 17X SERIES FLAMEPROOF SMART POSITIONER

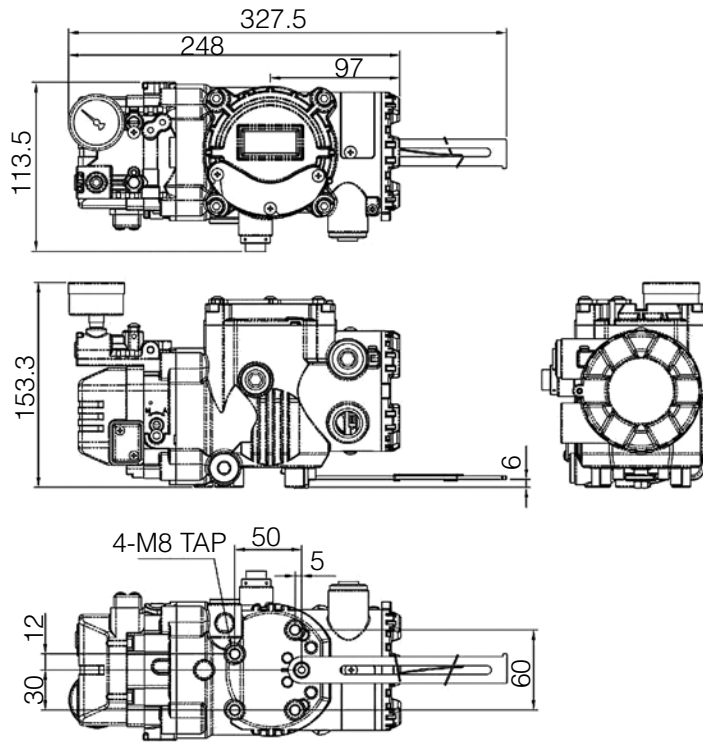
SPECIFICATIONS

Model	17XL		17XR	
	Single	Double	Single	Double
Acting Type				
Input Signal	4~20 mA DC			
Minimum Current Signal	3.2 mA (Standard), 3.8 mA (Hart Included)			
Supply Pressure	0.14~0.7 MPa (1,4~7 bar)			
Stroke	10~150 mm		0 ~ 90°	
Impedance	Max. 460 Ω @ 20mA DC			
Air Connection	PT, NPT 1/4"			
Gauge Connection	PT, NPT 1/8"			
Conduit Entry	PF (G) 1/2"			
Protection Grade	IP66			
Explosion Proof	Ex d IIC T6			
Ambient Temperature	Explosion Proof Temp.: -40 ~ 70°C (T6)/ -40 ~ 85°C (T5)			
Linearity	+/- 0.5% F.S.			
Hysteresis	0.5% F.S.			
Sensitivity	+/- 0.2% F.S.			
Repeatability	+/- 0.3% F.S.			
Flow Capacity	70 LPM (Sup.=0.14 Mpa)			
Air Consumption	0.01 LPM (Sup.=0.14 Mpa @ idle)			
Output Characteristic	Linear, Quick Open, EQ%, User Set (16 point)			
Vibration	No resonance up to 100 Hz @ 6G			
Humidity	5-95% RH @ 40°C			
Communication (Option)	HART Communication			
Feedback Signal (Option)	4~20mA (DC 10~30V)			
Material	Aluminum Die casting			
Weight	3,0 kg			
Painting	Epoxy Polyester Powder Coating			

MARK 17X SERIES FLAMEPROOF SMART POSITIONER

Mark 17X Dimensions

Linear:



Rotary:

