

**NOTES:**

\*1. Standard 'U' lengths available: 1.2", 2", 3", 4", 6", 9", 12" & 18"

\*2. Custom 'U' length: \_\_\_\_\_

Information contained in this document is confidential and proprietary information of Telematic Controls Inc. This document may not be reproduced or distributed for any reason without express written permission of Telematic Controls Inc. All rights of design, invention and copyright are reserved.

Rev	Description	App.	Date
0	Initial release	Chidley	14May98
1	Edited text		08Apr11
2	Changed footer note. Added confidential note. Modified Title box & Rev. Table	TDH	03Jun13

APPROVALS		DATE		
DRN	MW	13MAY13		
CHKD	EC	21MAY13		
APP	TDH	03JUN13	TITLE CLASSIC 810 Series 3/4" MNPT; 1.2", 2", 3", 4", 6", 9", 12" & 18" 'U' Remote Sensor Assembly Mounting Drawing	
SIZE	DWG NO.	REV		
A3	D15-810-RADXXXX-3	2		
SCALE NTS		SHEET 1 OF 4		

All dimensions are shown in inches with cm shown in brackets

TOLERANCES ARE:

DECIMALS	ANGLES
.X ± 0.1	±0.5°
.XX ± 0.02	
.XXX ± 0.007	

ITEM	DESCRIPTION	PART NUMBER	QTY
*1	Sensor ; 3/4" MNPT	P02-RADXXXX	1
2	Flameproof Enclosure (3/4" x 1" FNPT)	N10-100A-D	1
	c/w Terminal Assembly		
a	<input type="checkbox"/> Glass Lens Cover - Flameproof	M10-1G00	1
b	<input checked="" type="checkbox"/> Blind Cover - Flameproof	M10-1B00	1
3	Remote Terminal Assembly For Sensor Enclosure	1790-0622-C	1
4	Nameplate, Foil	2400-0002	1
5	Nameplate, Overlay	2401-0001	1

**\*1. Sensor Assembly Selection Guide:**

P02-RADXXXX Where XXXX = Desired 'U' Length in Inches.

- eg. 1.2"U = P02-RAD0012
- 2"U = P02-RAD0020
- 3"U = P02-RAD0030
- 4"U = P02-RAD0040
- 6"U = P02-RAD0060
- 9"U = P02-RAD0090
- 12"U = P02-RAD0120
- 18"U = P02-RAD0180

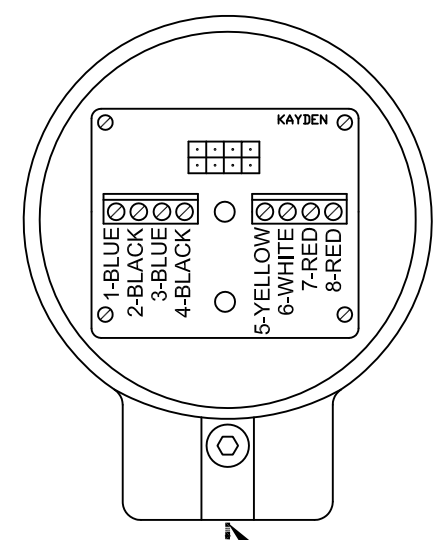
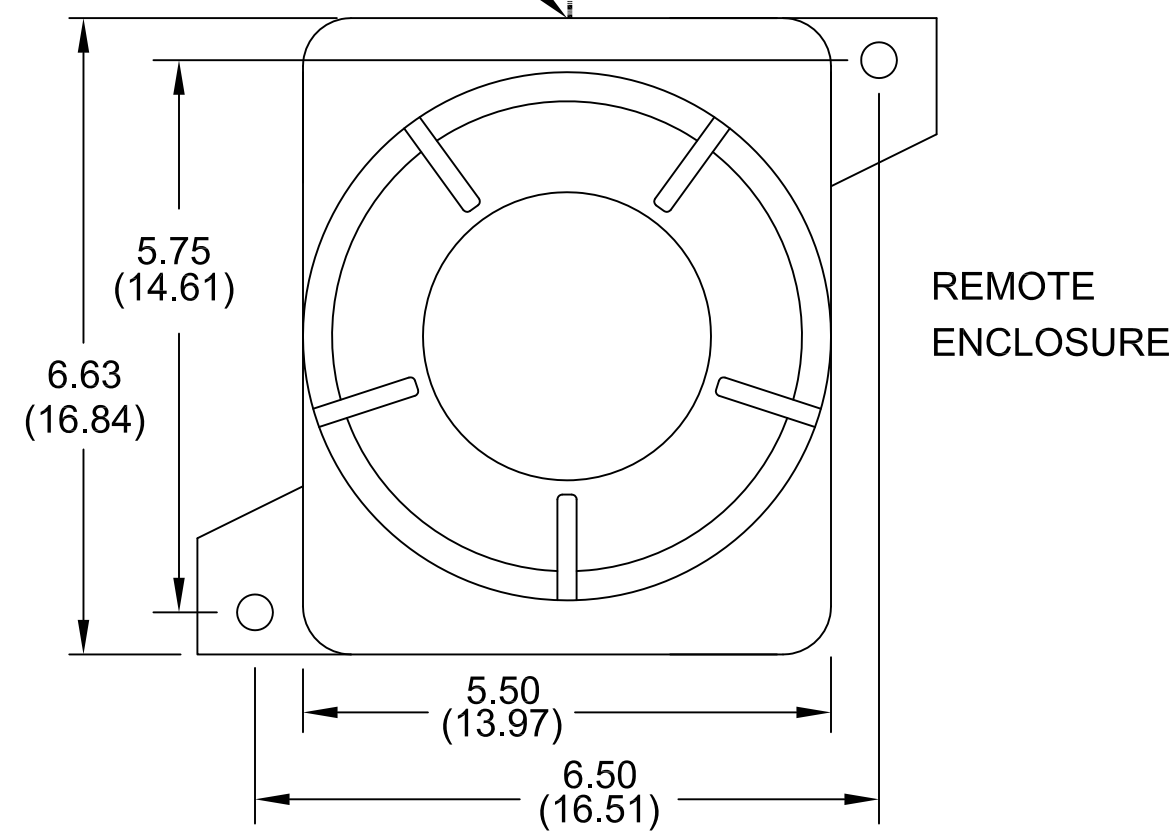
Information contained in this document is confidential and proprietary information of Telematic Controls Inc. This document may not be reproduced or distributed for any reason without express written permission of Telematic Controls Inc. All rights of design, invention and copyright are reserved.

Rev	Description	App.	Date			
0	Initial release	HO	10Jun01	APPROVALS	DATE	<b>KAYDEN</b> <sup>®</sup> I N S T R U M E N T S
1	Edited text		08Apr11	DRN MW	13MAY13	
2	Changed footer note. Added confidential note. Modified Title box & Rev. Table.	TDH	03Jun13	CHKD EC	21MAY13	
				APP TDH	03JUN13	
				TITLE <b>Part List - CLASSIC 810 Series 3/4" MNPT; 1.2", 2", 3", 4", 6", 9", 12" &amp; 18" 'U' Remote Sensor Assembly</b>		
				All dimensions are shown in inches with cm shown in brackets TOLERANCES ARE: DECIMALS		SIZE A3
				ANGLES		
				.X ± 0.1		
				.XX ± 0.02		
				.XXX ± 0.007		DWG NO. D15-810-RADXXXX-4
				SCALE NTS		
				SHEET 2 OF 4		
				REV 2		

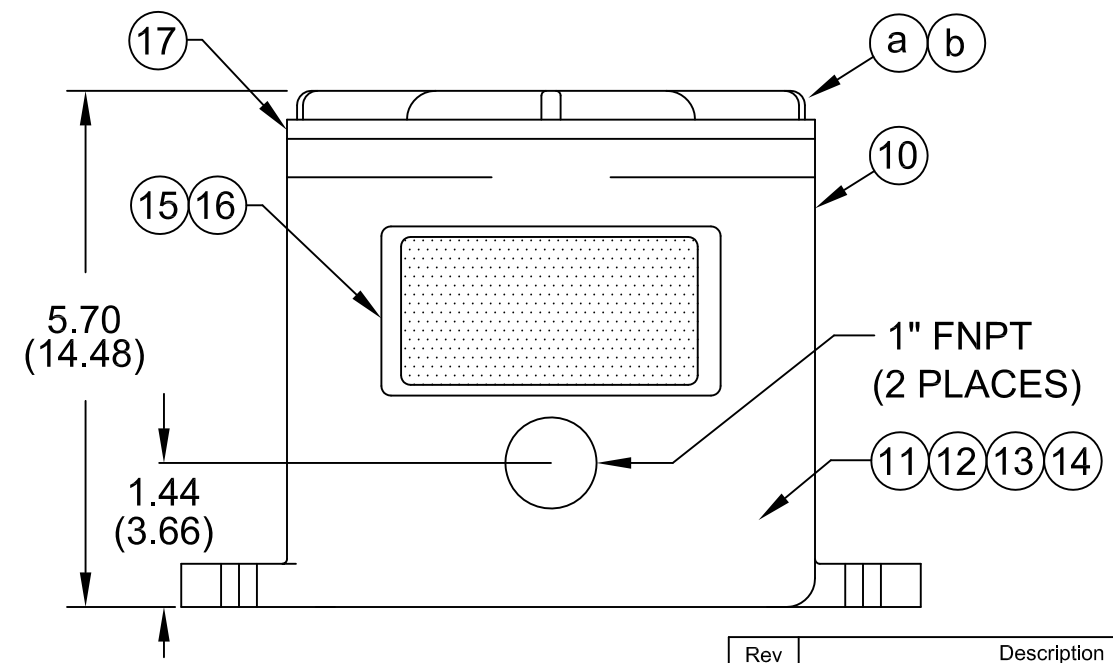
1" FNPT ELECTRONIC CONNECTION

FIELD WIRING

SENSOR ENCLOSURE



1" FNPT ELECTRICAL CONNECTION



Information contained in this document is confidential and proprietary information of Telematic Controls Inc. This document may not be reproduced or distributed for any reason without express written permission of Telematic Controls Inc. All rights of design, invention and copyright are reserved.

APPROVALS	DATE
DRN MW	13MAY13
CHKD EC	21MAY13
APP TDH	03JUN13

**KAYDEN**<sup>®</sup>  
INSTRUMENTS

All dimensions are shown in inches with cm shown in brackets

TOLERANCES ARE:

DECIMALS	ANGLES
.X ± 0.1	±0.5°
.XX ± 0.02	
.XXX ± 0.007	

TITLE CLASSIC Series Remote Electronics Flameproof Enclosure (CSA)

SIZE A3	DWG NO. 7730-0000-1-CSA	REV 0
SCALE NTS		SHEET 3 OF 4 (or 4 OF 5)

Rev	Description	App.	Date
0	Initial release	TDH	03Jun13

NOTES:  
1. Wire according to connection diagram.

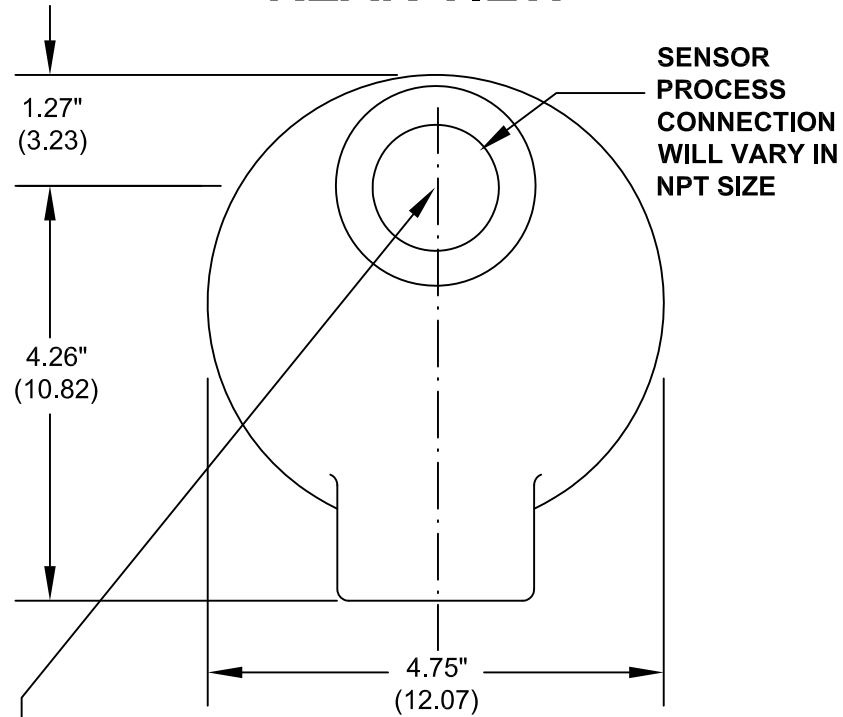
ITEM	DESCRIPTION	PART NUMBER	QTY
10	Flameproof Remote Enclosure	1409-1201	1
a	<input type="checkbox"/> Glass Lens Cover - Flameproof	1409-1208	1
b	<input type="checkbox"/> Blind Cover - Flameproof	1409-1207	1
11	Terminal Assembly	2511-0012	1
12	Ground Screw	2540-0023	1
13	CLASSIC Electronics Module	L10-800-C-E	1
	(12-24 VDC, 115-230 VAC)		
14	Mounting Screws (316 SS)	2540-0007	2
15	Nameplate, Foil	2400-0007	1
16	Nameplate, Overlay	2401-0001	1
17	Cover Gasket	1499-1301	1

Information contained in this document is confidential and proprietary information of Telematic Controls Inc. This document may not be reproduced or distributed for any reason without express written permission of Telematic Controls Inc. All rights of design, invention and copyright are reserved.

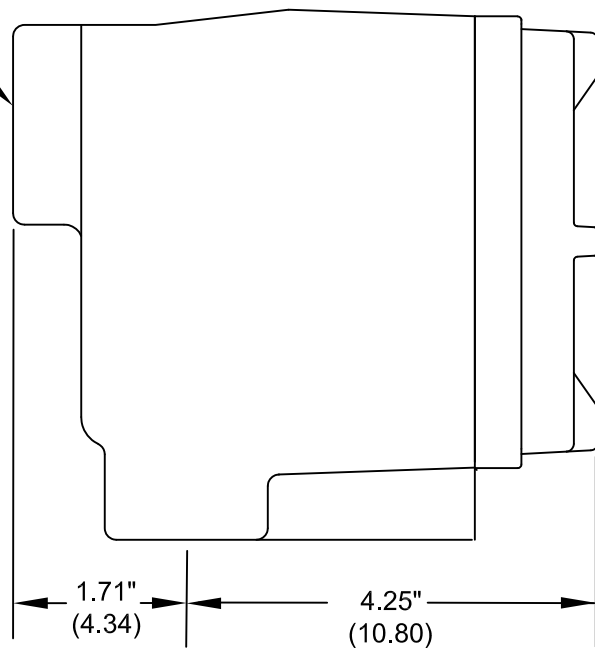
APPROVALS		DATE	<b>KAYDEN</b> INSTRUMENTS
DRN	MW	13MAY13	
CHKD	EC	21MAY13	
APP	TDH	03JUN13	
All dimensions are shown in inches with cm shown in brackets			TITLE <b>Parts List - CLASSIC Series Remote Electronics Flameproof Enclosure (CSA)</b>
TOLERANCES ARE:			
DECIMALS		ANGLES	SIZE A3
.X ± 0.1		±0.5°	DWG NO. <b>7730-0000-2-CSA</b>
.XX ± 0.02			REV <b>0</b>
.XXX ± 0.007			SCALE NTS
			SHEET 4 OF 4 (or 5 OF 5)

Rev	Description	App.	Date
0	Initial release	TDH	03Jun13

### SENSOR AND REMOTE ENCLOSURE REAR VIEW



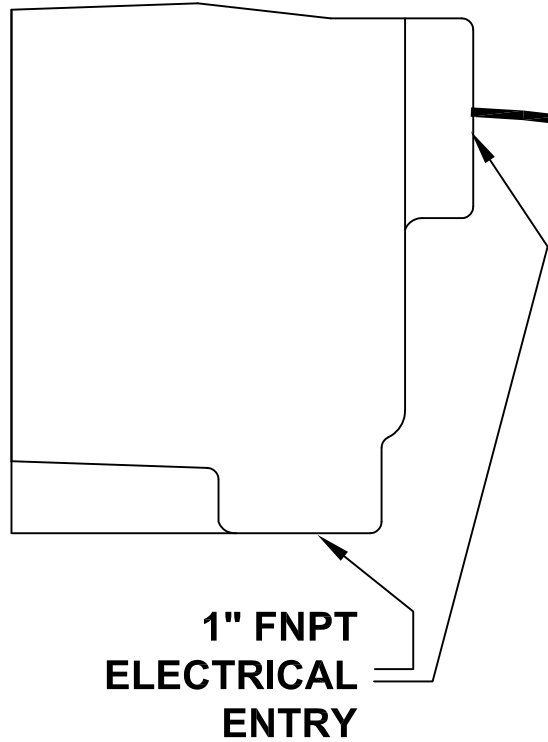
**MOUNT SENSOR AND REMOTE ENCLOSURE USING FNPT ENTRY**



**NOTES:**

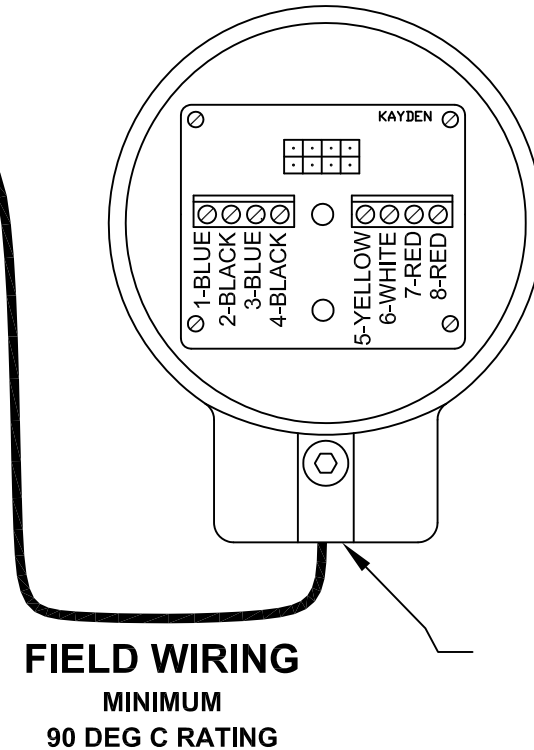
1. Wire sensor to remote according to connection diagram.

### REMOTE ENCLOSURE SIDE VIEW



**1" FNPT ELECTRICAL ENTRY**

### SENSOR ENCLOSURE FRONT VIEW



**1" FNPT ELECTRICAL ENTRY**

### SENSOR AND REMOTE ENCLOSURE SIDE VIEW

Rev	Description	App.	Date
0	Initial release	TDH	03Jun13

Information contained in this document is confidential and proprietary information of Telematic Controls Inc. This document may not be reproduced or distributed for any reason without express written permission of Telematic Controls Inc. All rights of design, invention and copyright are reserved.

APPROVALS		DATE	
DRN	MW	13MAY13	
CHKD	EC	21MAY13	
APP	TDH	03JUN13	
All dimensions are shown in inches with cm shown in brackets  TOLERANCES ARE: DECIMALS      ANGLES .X ± 0.1            ±0.5° .XX ± 0.02 .XXX ± 0.007			<b>TITLE</b> CLASSIC Series Sensor and Remote Flameproof Enclosure (FM)
SIZE A3	DWG NO. 7730-0000-1-FM	REV 0	
SCALE NTS		SHEET 1 OF 1	