



Electric Automated Ball Valve Package

Series 22
Direct Mount

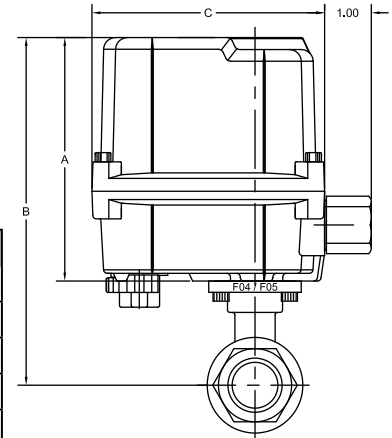
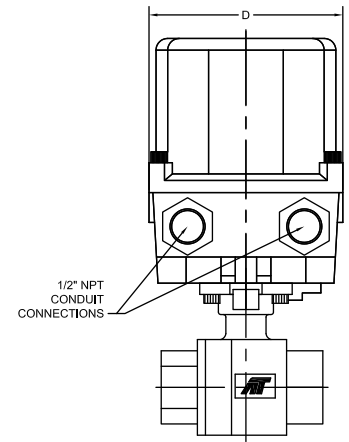
- Available in 316SS
- Sizes 1/4" – 3"
- Full Port Valve
- Threaded Ends
- 1000 psi WOG
- NACE MR-0175
- 2-piece High Cycle Design
- Blowout Proof Stem w/ Dual Anti-Static Devices
- RTFE Seats Standard
- Pyramidal Stem Seal Design

STANDARDS

DESIGN	ANSI/ASME B16.34
END CONNECTIONS	ASME B1.20.1
SULFIDE STRESS PROTECTION	NACE MR0175
MOUNTING	ISO 5211
MARKING SYSTEM FOR VALVES	MSS SP-25, MSS SP-55
SAFETY INTEGRITY	IEC 61508:2010; SIL 3
MATERIAL CERTIFICATION	EN 10204-3.1 MTR
QUALITY ASSURANCE	ISO 9001:2008



Direct Mount



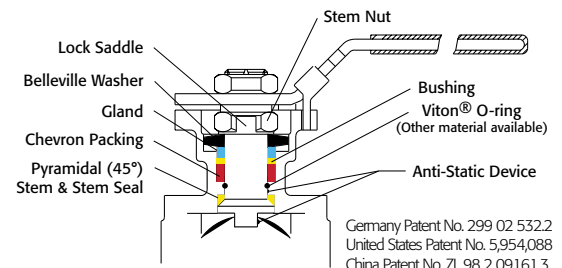
DIMENSIONS (IN)

VALVE SIZE	A	B	C	D	VALVE CV
1/4"	5.24	6.77	4.94	4.08	7
3/8"	5.24	6.77	4.94	4.08	8
1/2"	5.24	6.84	4.94	4.08	15
3/4"	5.24	7.06	4.94	4.08	40
1"	5.24	7.48	4.94	4.08	70
1-1/4"	5.24	7.64	4.94	4.08	110
1-1/2"	5.24	8.30	4.94	4.08	250
2"	5.24	8.59	4.94	4.08	350
2-1/2"	9.25	13.56	6.69	10.16	600
3"	10.55	15.18	9.02	13.31	900

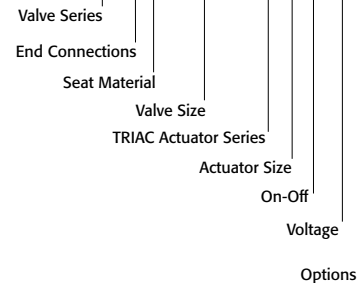
SERIES 22 2-Piece Direct Mount

ON-OFF	
SIZE	MODEL
1/4"	22-TX-025/WEA1-XX
3/8"	22-TX-038/WEA1-XX
1/2"	22-TX-050/WEA1-XX
3/4"	22-TX-075/WEA1-XX
1"	22-TX-100/WEA1-XX
1-1/4"	22-TX-125/WEA1-XX
1-1/2"	22-TX-150/WEA1-XX
2"	22-TX-200/WEA1-XX
2-1/2"	22-TX-250/WEB1-XX
3"	22-TX-300/WEC1-XX

MODULATING	
SIZE	MODEL
1/4"	22-TX-025/WEA2-XX
3/8"	22-TX-038/WEA2-XX
1/2"	22-TX-050/WEA2-XX
3/4"	22-TX-075/WEA2-XX
1"	22-TX-100/WEA2-XX
1-1/4"	22-TX-125/WEA2-XX
1-1/2"	22-TX-150/WEA2-XX
2"	22-TX-200/WEA2-XX
2-1/2"	22-TX-250/WEB2-XX
3"	22-TX-300/WEC2-XX



SAMPLE PART # 22-TX-100/WEA1-XX



See valve part number matrix for complete part number and options.

OPTIONS
DESCRIPTION
24 VAC/24 VDC/220VAC
Feedback potentiometer

Other options available - call for details
Actuators are sized based on clean/clear fluid.



Valve Options

Various Seat Materials

PTFE, RTFE, 50/50 STFE, 25% CTFE, Delrin, PEEK, UHMWPE, TFM-1600

Operator Options

Quarter-turn Gear Operators
Spring Return "Deadman" Handles
Oval handles, TEE Handles

Specials and Solutions

Steam Jackets
Stem Extensions
V-ported Control Valves
Multi-port Valve Solutions
Fugitive Emissions Bonnets (TSM's)
Oxygen Cleaning
Lockout Brackets
Vented Balls
"No Play" Mounting Kits

• FM Approved Valves and Assemblies



Manual and automated valve assemblies for gas burner management applications and safety shutoff

Other Products

Special Seats Balls and Seal Designs



Steam Jacketed Valves



Floor Mounted Damper Drives



Limit Switches Mounted on Manual Valves



Fusible Link Assemblies



180° Actuators



Lockout Mounting Kits



Stem Extensions



Special Multi-Port Valves



Dual Valve Assemblies

