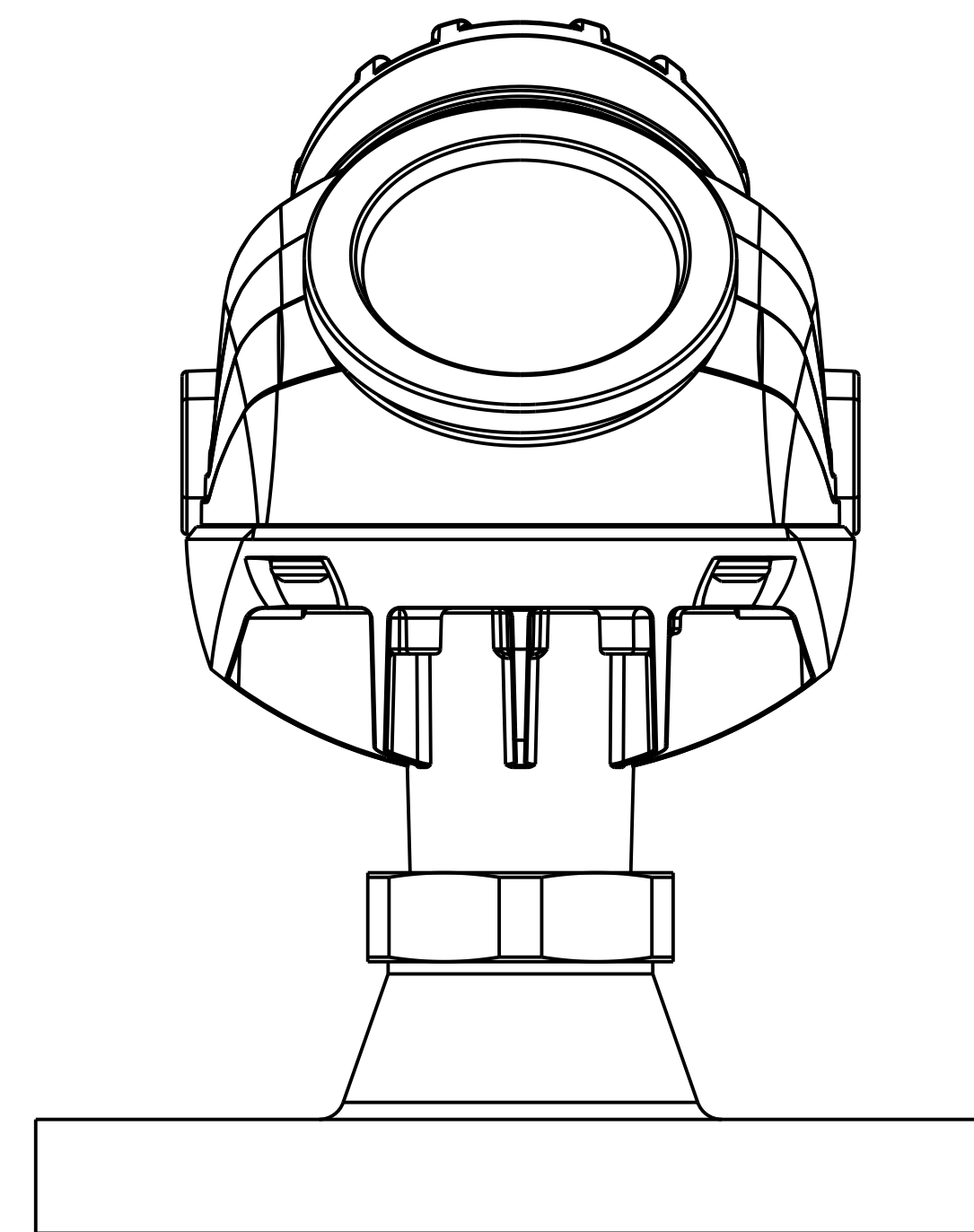
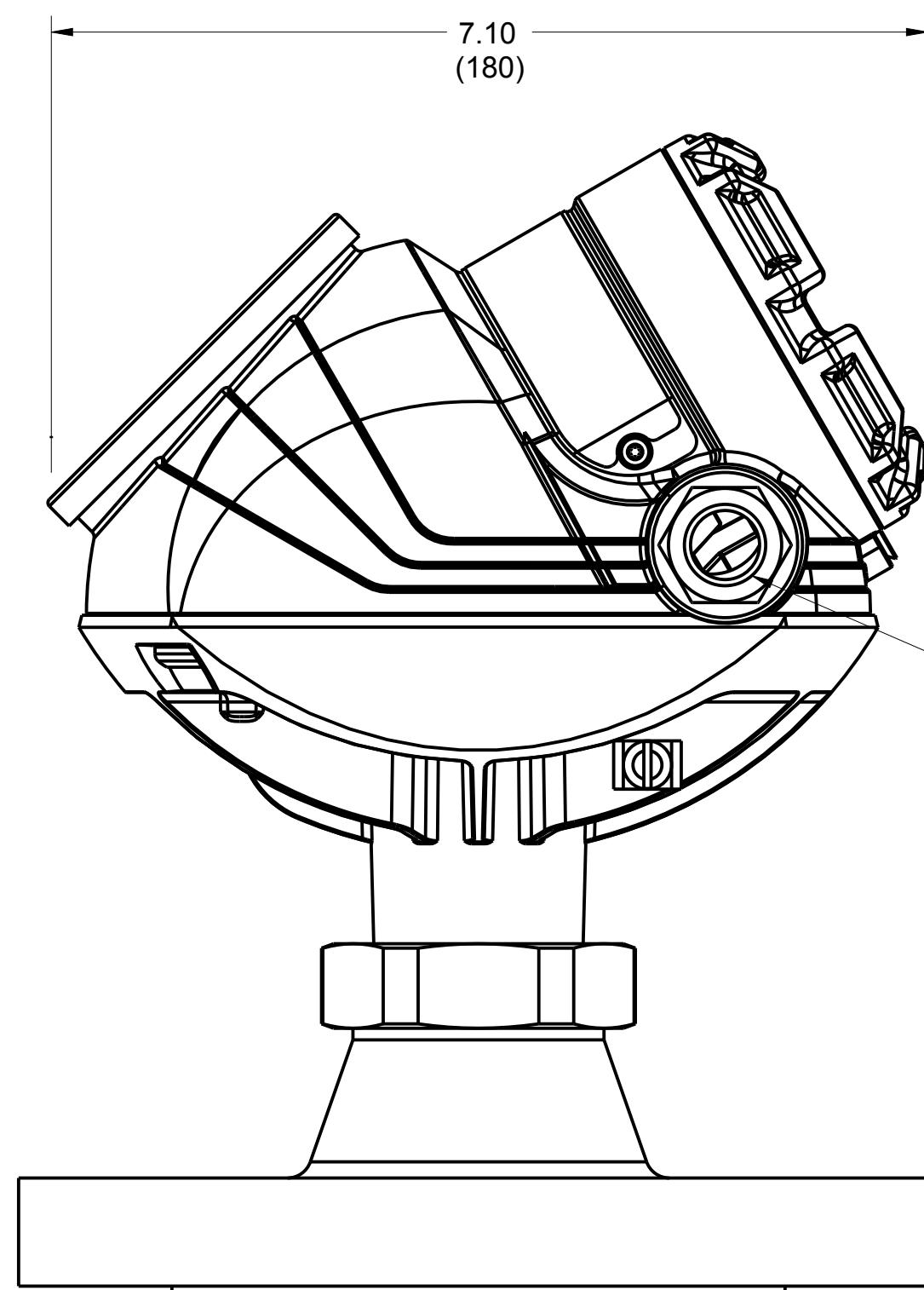
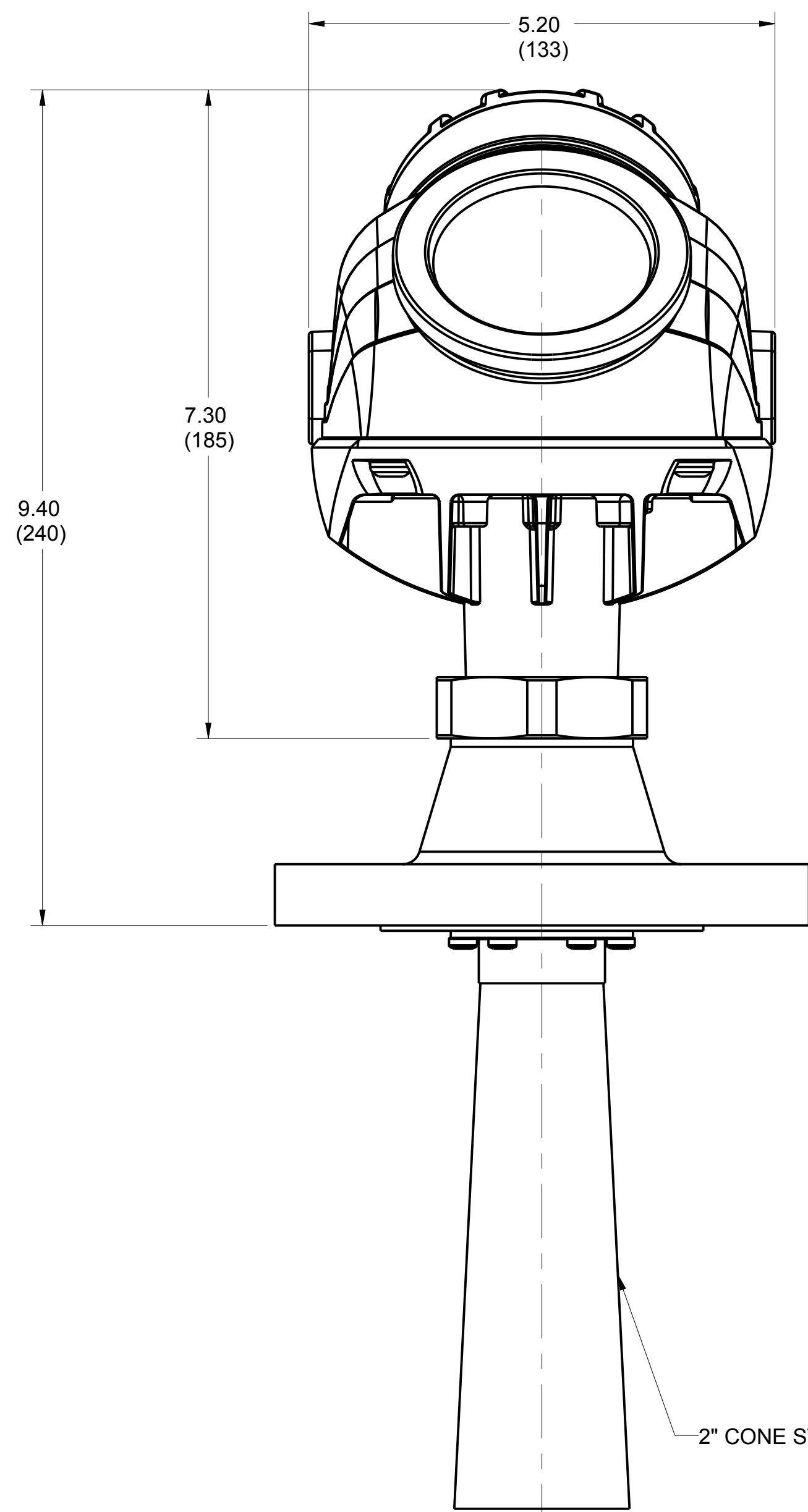


ROSEMOUNT 5402 HIGH FREQUENCY RADAR LEVEL TRANSMITTER

REVISION TABLE			
REVISION	ECO NO.	APP'D	DATE
AB	RTC1067391	T. Soderman	2/7/17
DESCRIPTION			
CREATE STANDARD CONE TABLE			

SST CONE ANTENNA W/ HOUSING
(OPTIONS 2S-4S)

WITH PROTECTIVE PLATE ANTENNA
(OPTIONS 2H-4H,2M-4M,2N-4N)



EXTENDED SST CONE
MAX 20.4 (518)

EXTENSION
LENGTH

OPTIONAL EXTENSION
(EXTENSIONS ARE AVAILABLE
FOR ALL ANTENNA TYPES)

5402 STANDARD SST CONE

CONE SIZE	A	B	ANTENNA CODE
2	6.5 (165)	2.0 (50)	2S
3	5.9 (150)	2.6 (67)	3S
4	8.8 (225)	3.6 (92)	4S

5402 STANDARD CONE WITH PROTECTIVE PLATE

CONE SIZE	A	B	ANTENNA CODE
2	5.9 (150)	2.0 (50)	2H,2M,2N
3	6.9 (175)	2.6 (67)	3H,3M,3N
4	9.8 (250)	3.6 (92)	4H,4M,4N

©2015 ROSEMOUNT INC.
ROSEMOUNT INC. CERTIFIES
THIS DRAWING IS MADE IN
ACCORDANCE WITH THE
ROSEMOUNT ENGINEERING
SPECIFICATIONS.
UNIT NOTES IN INCHES (mm).
REFERENCE ROSEMOUNT
PRODUCT SPECIFICATIONS.
CLICK HERE

3RD ANGLE SIZE D SCALE NTS

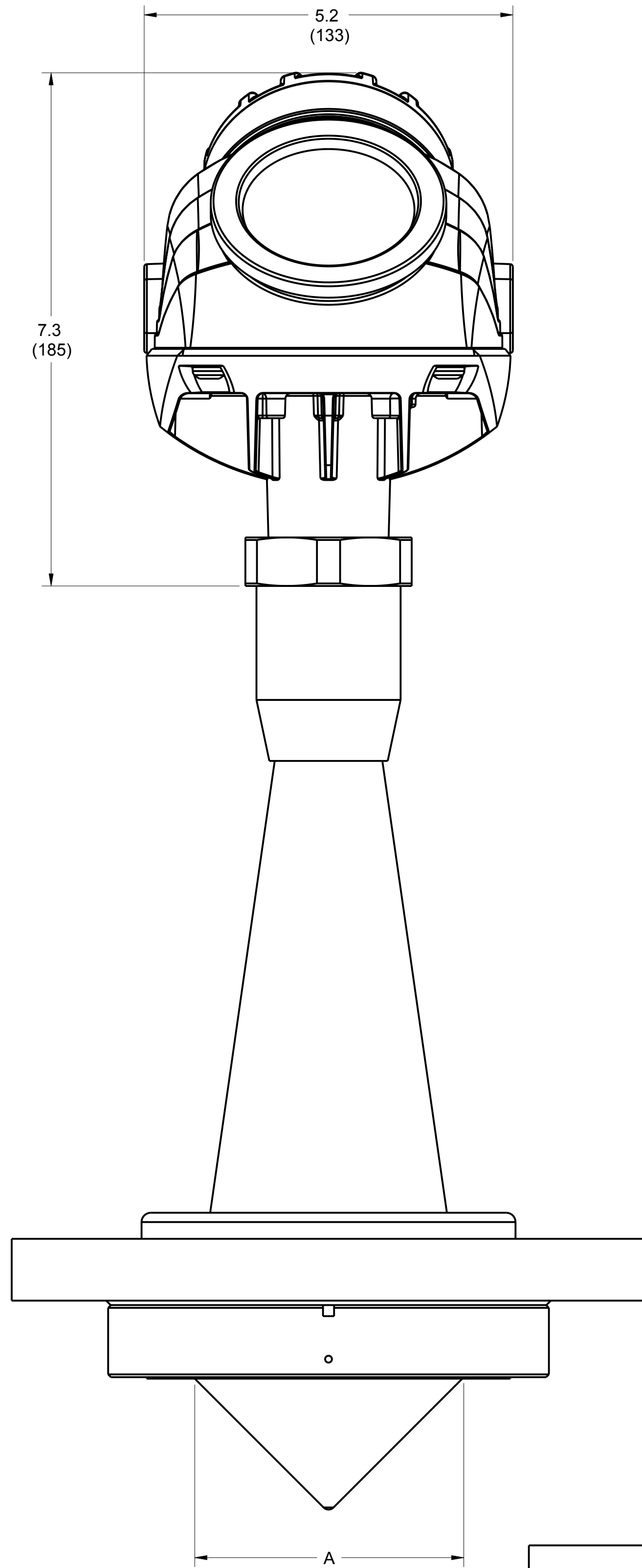
EMERSON

TITLE
**ROSEMOUNT 5402
TYPE I DRAWING**

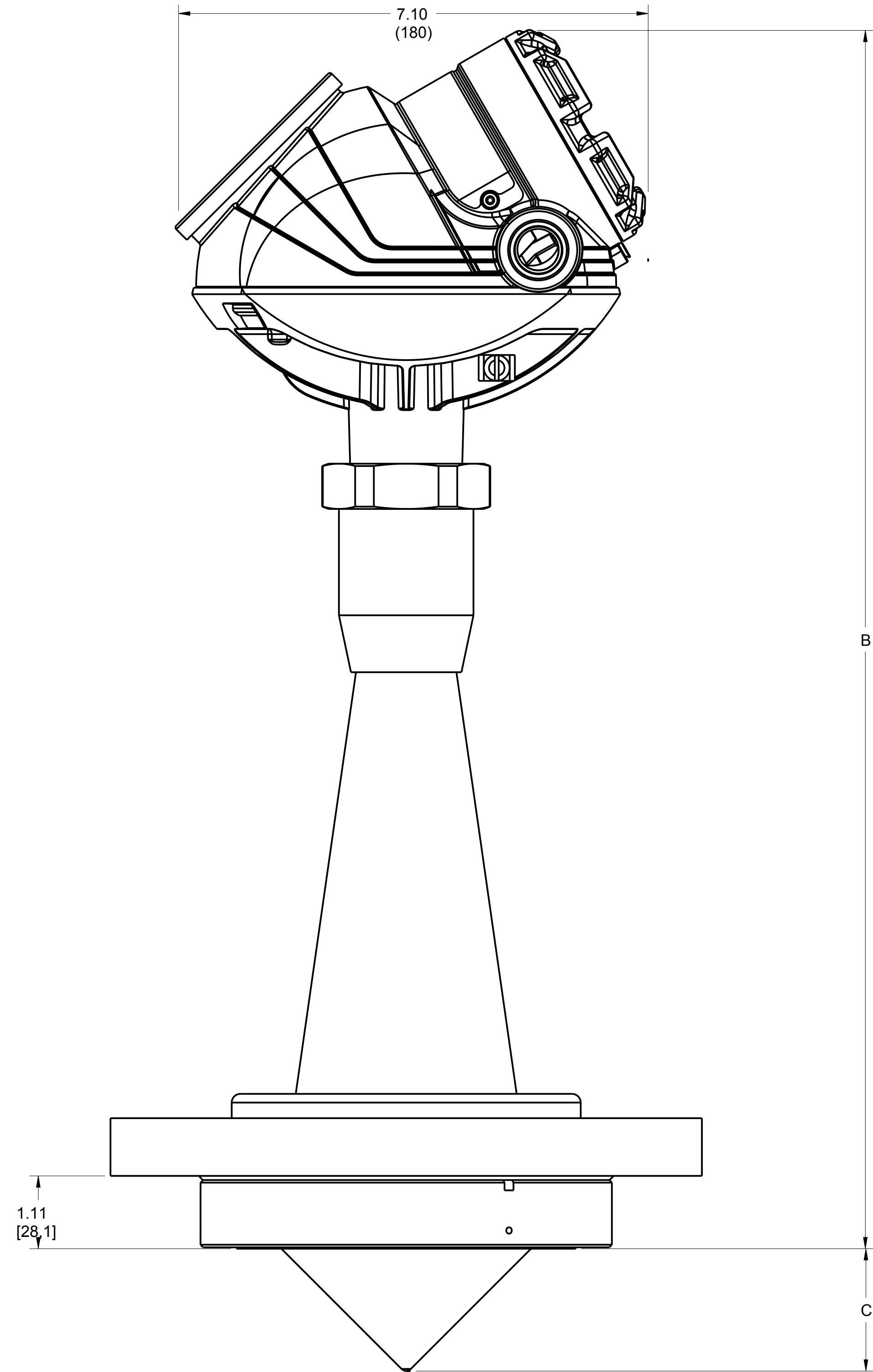
DR. J. Armstrong 1/4/16 DRAWING NO. 05402-7000
APP'D T. Soderman 1/6/16

CAD MAINTAINED, (PROE) SHEET 1 OF 3

ROSEMOUNT 5402 HIGH FREQUENCY RADAR LEVEL TRANSMITTER



PROCESS SEAL CONNECTION
(OPTIONS 2P-4P)



CONE SIZE	A	B	C	ANTENNA CODE
2	1.8 (46)	14.2 (360)	0.9 (22)	2P
3	2.8 (72)	17.3 (440)	1.4 (35)	3P
4	3.8 (97)	18.9 (480)	1.9 (48)	4P

©2015 ROSEMOUNT INC.
ROSEMOUNT INC. CERTIFIES
THIS DRAWING IS IN
ACCORDANCE WITH
ROSEMOUNT ENGINEERING
SPECIFICATIONS.
UNIT NOTES IN INCHES (mm).
REFERENCE ROSEMOUNT
PRODUCT SPECIFICATIONS.
CLICK HERE

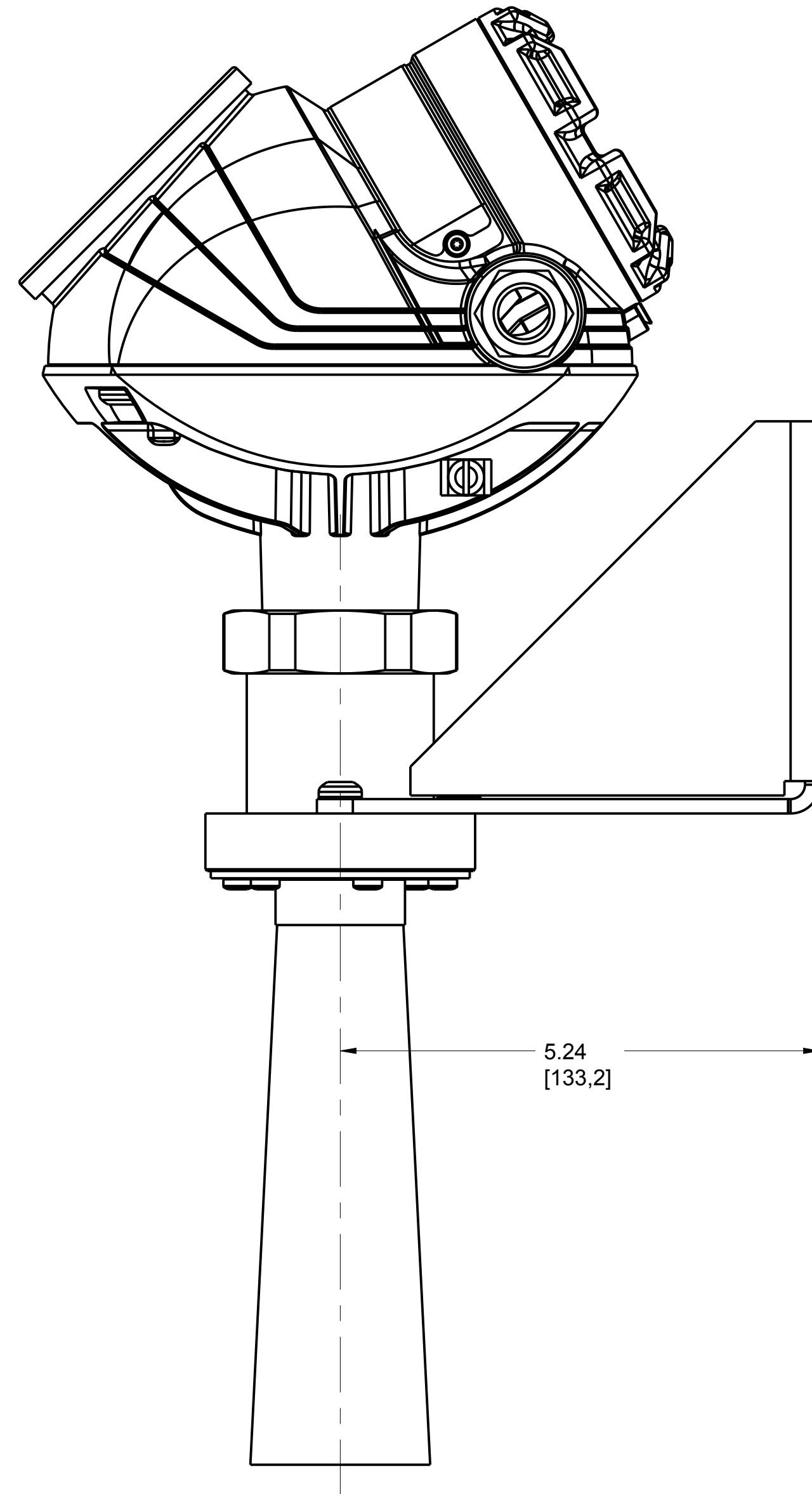
3RD ANGLE

EMERSON

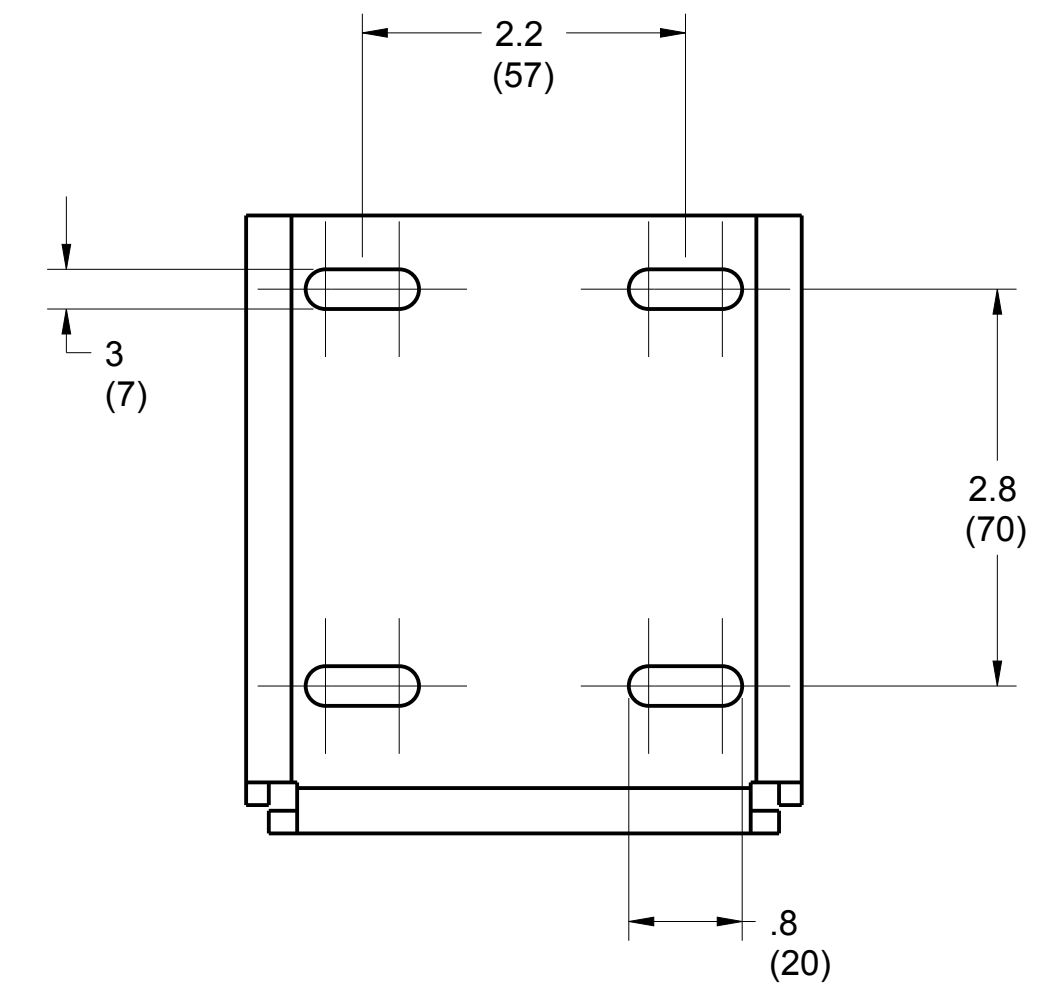
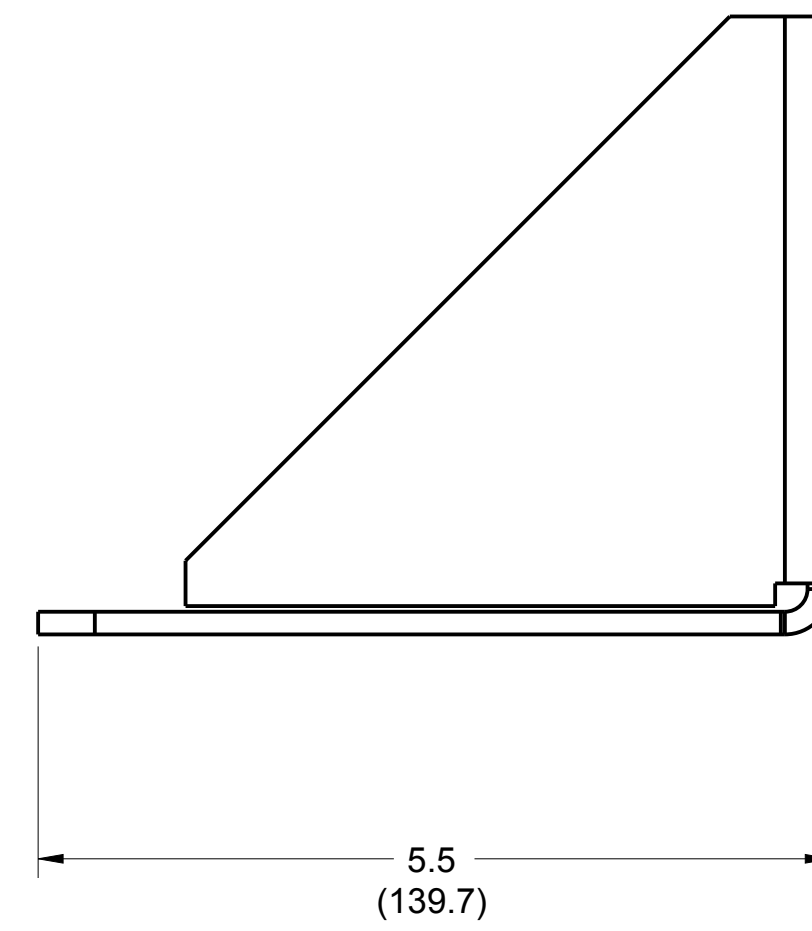
TITLE
**ROSEMOUNT 5402
TYPE I DRAWING**

DR. J. Armstrong 1/4/16 DRAWING NO. 05402-7000
APPD T. Soderman 1/6/16
CAD MAINTAINED, (PROE) SHEET 2 OF 3

ROSEMOUNT 5402 HIGH FREQUENCY RADAR LEVEL TRANSMITTER
MOUNTING CONFIGURATION (CODE BR)



BRACKET MOUNTING
(OPTIONS BR)



©2015 ROSEMOUNT INC. ROSEMOUNT INC. CERTIFIES THIS DRAWING IS IN ACCORDANCE WITH ROSEMOUNT ENGINEERING SPECIFICATIONS. UNIT NOTES IN INCHES (mm). REFERENCE ROSEMOUNT PRODUCT SPECIFICATIONS. CLICK HERE	3RD ANGLE		SIZE D	SCALE NTS
	TITLE ROSEMOUNT 5402 TYPE I DRAWING			
	DR. J. Armstrong APP'D T. Soderman CAD MAINTAINED, (PROE)	1/4/16 1/6/16	DRAWING NO. 05402-7000	SHEET 3 OF 3