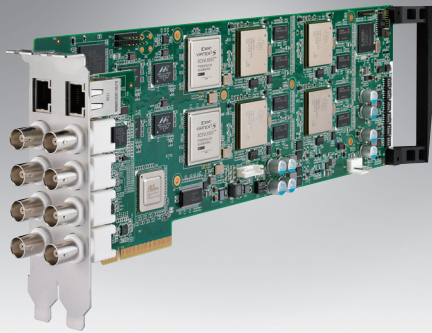


DSP-8662

8ch 3G-SDI Video Encoder Card with SDK

NEW



Features

- Powered by quad TI TMS320DM8168 SoC
- 8-channel SD-SDI / HD-SDI / 3G-SDI video + audio inputs
- Up to 60fps at Full HD (1080p) video acquisition per channel
- HW-based H.264 / MJPEG / RAW encoding
- PCIe Gen2 x8 data bus; Dual GbE LAN ports
- Supports multi-port Ethernet and PCIe switch
- Web-based GUI and SDK with sample codes



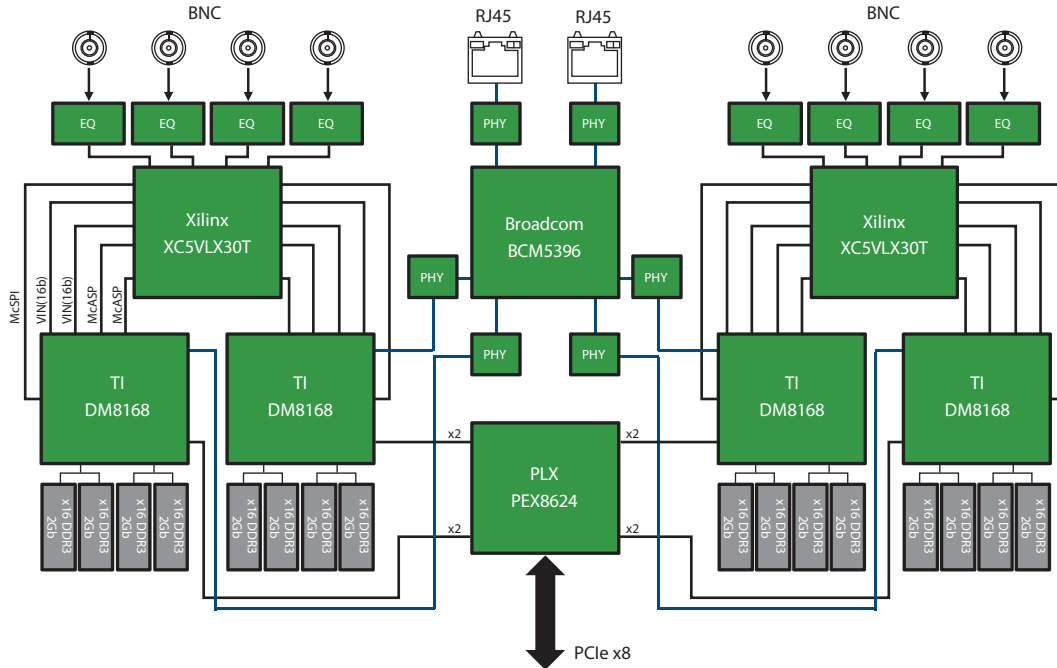
Introduction

DSP-8662 is an advanced PCIe video acquisition and encoder solution which supports 8 channels Serial Digital Interface (SDI) video and audio inputs. DSP-8662 is capable of performing multi-channel video compression with up to Full HD 1080p resolution at 60fps in each channel (total 480fps simultaneously). As a versatile video processing platform, DSP-8662 works as PCIe video acquisition and encoder card working on x86 PC platform (Drivers are available for both Windows and Linux OS). With an easy-to-use software development kit (SDK), DSP-8662 is an ideal solution for system integrators to implement versatile video related applications, to fulfill various customer requirements.

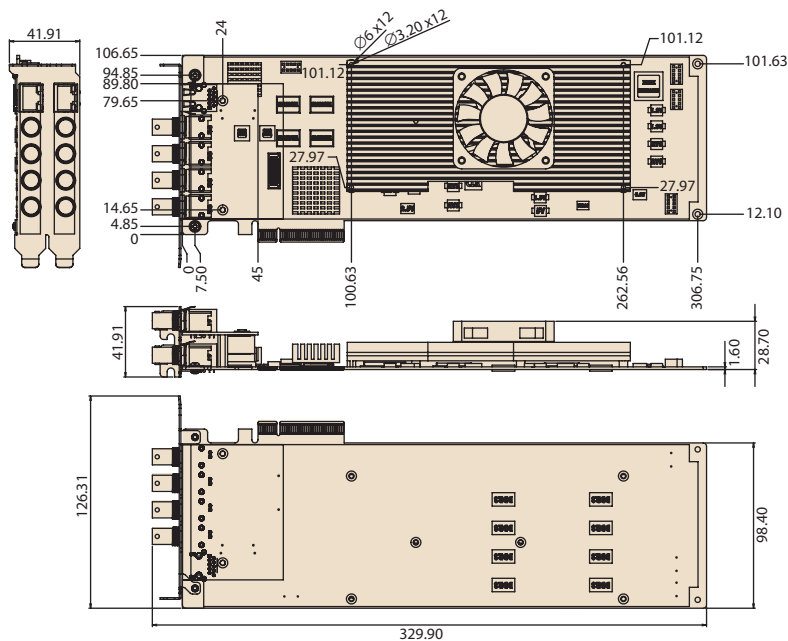
Specifications

Video Input	Channels	8
	Input Format	SD-SDI / HD-SDI / 3G-SDI
	SDI Standards	SMPTE 259M / 292M / 344M / 424M (depends on the performance of the inputs device)
	Resolution	Up to 1920 x 1080p (Full HD 1080p)
	Compression	H.264 / MJPEG / RAW
	Max. Frame Rate	480 fps at Full HD 1080p (up to 60fps per channel)
	Bit Rate Control	CBR / VBR / ABR
	Connectors	BNC
Audio Input	Channels	8
	Format	RAW
	Sampling Rate	Up to 16-bit, 44KHz, stereo
	Connectors	BNC (shared with video inputs)
Peripherals & Accessories	LAN Port	10/100/1000 Mbps LAN port x2; RJ-45 connector
	Data Bus	PCIe Gen-2 x8
Physical Characteristics	Power Consumption	< 60W
	Operating Temperature	0 ~ 60° C (32 ~ 140° F)
	Dimensions	270 x 111.15 mm (10.63" x 4.38"), double width
Software	Supported OS	Linux
	SDK	User's Manual Programming Guide Sample Codes
	Demo Program	8ch 3G-SDI video capture and H.264 encoding at PCIe device mode
Applications	PCIe Device Mode	PCIe video acquisition and encoder card

Block Diagram



Dimensions



Ordering Information

Part Number	Description
DSPC-8662-PCXE	8ch 3G-SDI Video Encoder Card with SDK
DSPC-8661ACY01-AE	JTAG debug board with cable