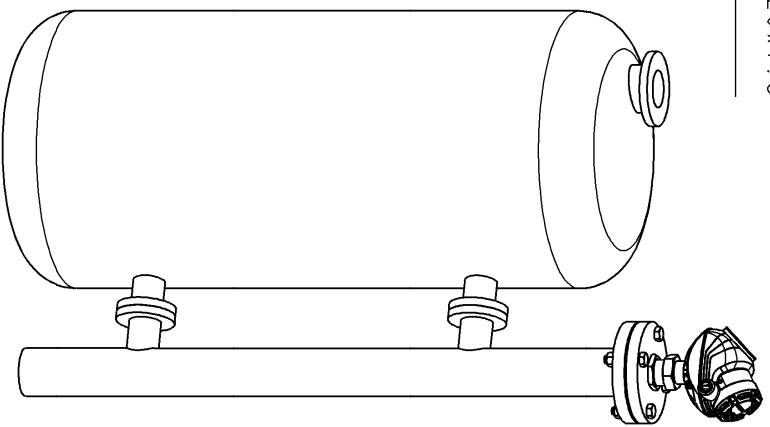


1/2-14 NPT CONDUIT/CABLE
 THREAD (2 SIDES) M20x1.5
 ADAPTER (OPTIONAL)



SECTION A-A
 MAX 1°

① P/T RATING FOR THIS FLANGE, SEE REF MANUAL

POS	ITEM DESCRIPTION	QTY	REMARK	SUPPLIER
03	GASKET	1	SOFT GASKET T=MIN 1.6 (ANSI B16.5/1A, EN1514-1/IBC) SEE NOTE 1	CUSTOMER
02	SCREW/NUT/WASHER	-	ACC. TO FLANGE STD SEE NOTE 1	CUSTOMER
01	FLANGE	1	DIM. ACC TO ANSI B 16.5/ EN 1092-1. OTHER ON REQUEST PT RATING SEE NOTE 1.	RMT

FOR MORE INFO
 SEE REF MANUAL

ISSUED BY	WEEK	PRODUCT CODE	FILE	INSTALLATION DRAWING TITLE
GU-TK-PE	0510	5400	PRO/E	MECHANICAL INSTALLATION DWG
APPROVED BY	WEEK	ORIGINAL DWG. NO.	SCALE	
GU-SL	0538	9240030-975	1:5	5400 SPECIAL ALLOYS BRIDLE INST

ROSEMOUNT



1 ST ANGLE
 2
 9240030-975

ISSUE SHEET
 02 1/1

THE COPYRIGHT/OWNERSHIP OF THIS DOCUMENT IS AND WILL REMAIN OURS. THE DOCUMENT MUST NOT BE USED WITHOUT OUR AUTHORIZATION OR BROUGHT TO THE KNOWLEDGE OF A THIRD PARTY. CONTRAVENTION WILL BE PROSECUTED. ROSEMOUNT TANK RADAR AB, SWEDEEN.

INST DWG 43 06 1023