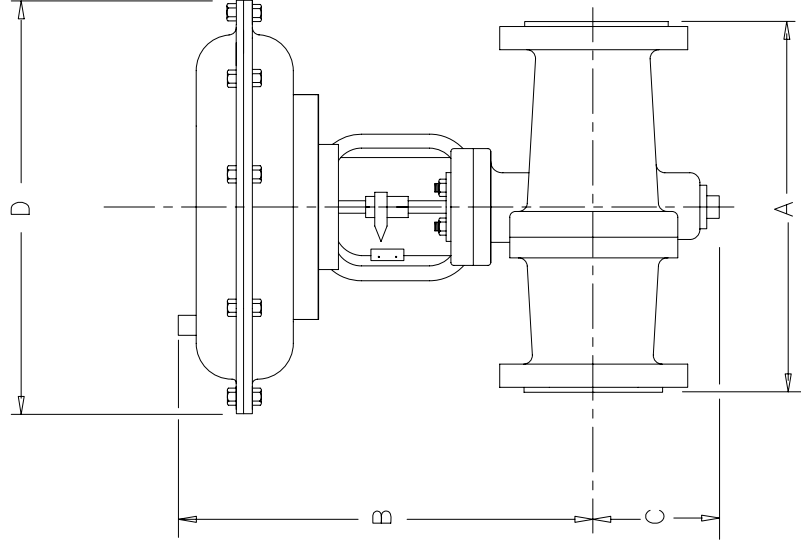


+

VALVE SIZE	ANSI FLANGE	DIMENSIONS IN INCHES				WGT. LBS.
		A	B	C	D	
2 1/2"	125-150#	10.87	16.50	5.12	9.50	180
	250-300#	11.50	16.50	5.12	9.50	180
3"	125-150#	11.75	16.50	5.37	9.50	195
	250-300#	12.50	16.50	5.37	9.50	195
4"	125-150#	13.87	17.75	6.00	9.50	305
	250-300#	14.50	17.75	6.00	9.50	305
6"	125-150#	17.75	18.50	7.00	9.50	380
	250-300#	18.62	18.50	7.00	9.50	380



## SPECIFICATION DATA

CUSTOMER \_\_\_\_\_  
ORDER No. \_\_\_\_\_ SERIAL No. \_\_\_\_\_  
TAG No. \_\_\_\_\_  
VALVE TYPE \_\_\_\_\_ QTY. \_\_\_\_\_  
BODY \_\_\_\_\_  
END CONN. \_\_\_\_\_  
INLET PRESS. \_\_\_\_\_ MAX. Δ P \_\_\_\_\_  
CONTROL RANGE \_\_\_\_\_  
VALVE ACTION: RISE IN SIGNAL TO  OPEN  CLOSE  
VALVE SEAT \_\_\_\_\_ Cv \_\_\_\_\_  
MISC. \_\_\_\_\_  
CERTIFIED \_\_\_\_\_ DATE \_\_\_\_\_

 RICHARDS INDUSTRIES  
CINCINNATI, OHIO  
U.S.A.

VALVE GROUP o

FN: MK76-6

2 1/2-6" MK76  
ON-OFF CONTROL VALVE

DRAWN BY	DATE
JLA	7/24/96
CHECKED BY	DATE

MK76  
2 1/2-6"

+