

# NMC-0806

## 8 Ports 1GbE RJ45 Module (Advanced LAN Bypass Available)

**NEW**



### Features

- 2x Intel® i350\_AM4
- 8 ports RJ45 connector
- 2x PCI-E 2.0 x4
- NC-SI for IPMI Management
- Lan Bypass model available
- RoHS compliant



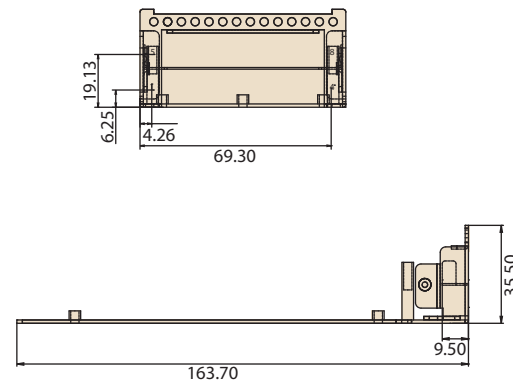
### Specifications

Controller	2x Intel® i350_AM4
Interface	2x PCI-E 2.0 x4
Speed	1GbE
Port	8x RJ45
LAN LED definition	10Mbps: LED off 100Mbps: LED on (Amber) 1000Mbps: LED on (Green) Link: LED on Act: Blinking
Advanced Software Features	Teaming support IEEE 802.3ad IEEE 802.1Q VLANs IEEE 802.3 2005 flow control support Interrupt moderation
OS Support	Windows® Server 2012 R2, 2012, 2008 R2 X86-64 Linux RedHat EL 6.5 and 7.0 IA-32, X86-64, and IA-64 Linux SuSE SLES 11 SP3 and 12 IA-32, X86-64, and IA-64 FreeBSD 9 and 10 IA-32, X86-64, and IA-64 UEFI 2.1 and 2.3 X86-64 and I-64 VMware ESXi 5.1, ESXi 5.5 and ESXi 6.0 X86-64
Operating Conditions	Operation: 0°C ~ 45°C Storage: -20°C ~ 67°C
Power Voltage & consumption	+12V ± 15% 16W
Dimension (mm)	163.7 x 74.6 x 35.5
Compliance	CE/FCC



### Dimensions

Unit: mm



### Ordering Information

Part Number	Description
NMC-0806-000010E	8-ports 1GbE RJ45 NMC card w/ 2x Intel® i350_AM4 chip NMC
NMC-0806-000110E	8-ports 1GbE RJ45 NMC card w/ 2x Intel® i350_AM4 chip NMC (4 pair advanced LAN bypass)