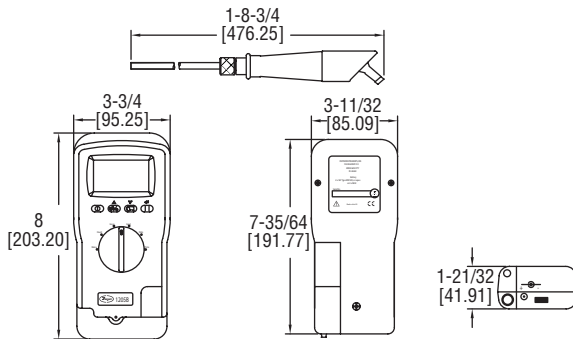


HANDHELD CO/CO₂ GAS ANALYZER

Measures Indoor Air Quality, Includes Sampling Probe with Hose



The **MODEL 1205B** Handheld CO/CO₂ Gas Analyzer accurately measures the concentration of carbon monoxide (CO) and carbon dioxide (CO₂) in a duct or space and displays the measurement on a dual line backlit LCD. The unit's memory stores up to 255 sets of readings that are logged manually or auto-logged with 1 to 10 minute intervals. Results can then be printed via an optional infrared printer.

FEATURES/BENEFITS

- Displays carbon monoxide and carbon dioxide concentrations simultaneously
- Stores up to 255 sets of readings for future evaluation
- User configurable alarms

APPLICATIONS

- Service and adjustment of boilers, ovens, and other combustion equipment

MODEL CHART	
Model	Description
1205B-0	Gas analyzer and logger for CO and CO ₂

SPECIFICATIONS

Ranges: CO: 0 to 1000 ppm, overflow 2000 ppm; CO₂: 200 to 4000 ppm, overflow 9999 ppm.

Accuracy: CO: ±5 ppm < 100 ppm; ±5% > 100 ppm; ±10% > 1000 ppm; CO₂: ±20 ppm < 400 ppm; ±5% < 4000 ppm; ±10% > 4000 ppm.

Resolution: CO: 1 ppm; CO₂: 1 ppm.

Display: Dual LCD display.

Temperature Limits: 32 to 104°F (0 to 45°C).

Humidity Limits (Non-Condensing): 10 to 90% RH.

Power Requirements: 100 to 240 VAC, 50 to 60 Hz or (5) AA NiMH batteries, internal, factory replaceable.

Battery Life: 6 hours with full charge and pump on.

Weight: 2.21 lb (1 kg).

Agency Approvals: CE.

ACCESSORIES

Model	Description
1205B-US	120 VAC power adapter for 1205B
1205B-EU	240 VAC power adapter for 1205B
1205B-PR	Replacement probe for 1205B